

FL AGOR HI

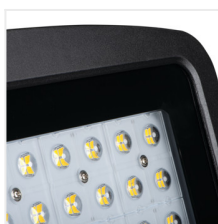
LED floodlight



up to
150 lm/W



[V] 220-240 AC	[Hz] 50	120° Φ _{use}	≥50000	50000	ellipse ≤ 6x MacAdam	Ra 70
SMD	IP 65	IK 08	0.28	1	-20÷45	Hg
180	CE	UK CA				



FL AGOR HI 240W NW

FL AGOR HI 240W NW	33476	240	36000	28800	4000	90	black D
FL AGOR/A HI 240W NW	33477	240	36000	28800	4000	X40/Y90	black D
FL AGOR HI 300W NW	33478	300	45000	36000	4000	90	black D
FL AGOR/A HI 300W NW	33479	300	45000	36000	4000	X40/Y90	black D

Kanlux AGOR HI floodlights have two high power options: 240W and 300W. These floodlights are available in two versions: FL AGOR HI (symmetrical), FL AGOR / A HI (asymmetrical) with a 5-year warranty. Kanlux AGOR LED HI is a professional product, we took care of protection against overvoltage (6kV), high tightness (IP 65) and resistance to mechanical damage (IK08). An additional advantage is very high efficiency: up to 150lm / W. Luminaires are designed to illuminate larger industrial, commercial and recreational areas. An additional safety accessory is a protective grid.

- 5 years Warranty under the terms of the warranty statement, available on our website
- Enclosure material: aluminum alloy
- Protective glass material: Tempered glass

FL AGOR HI

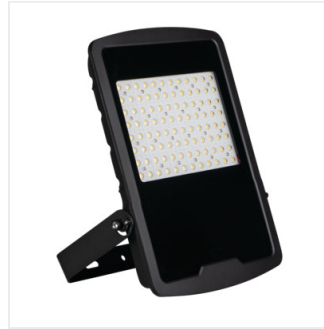
LED floodlight



FL AGOR HI 240W NW



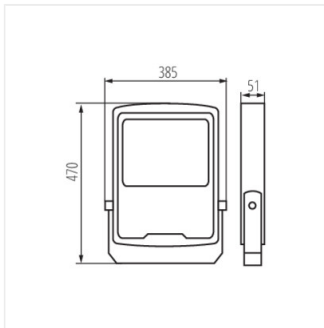
FL AGOR/A HI 240W NW



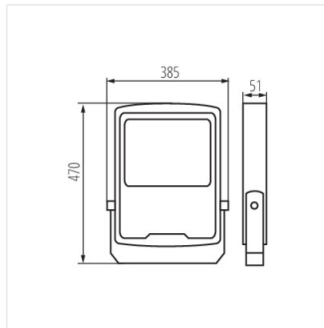
FL AGOR HI 300W NW



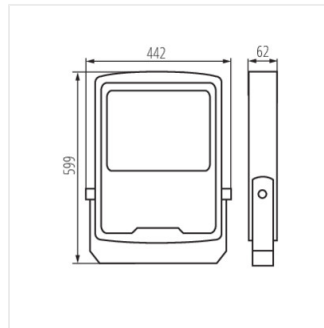
FL AGOR/A HI 300W NW



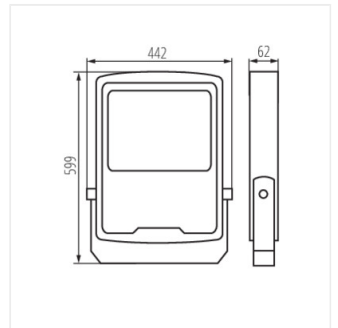
FL AGOR HI 240W NW



FL AGOR/A HI 240W NW



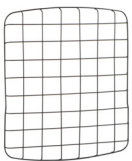
FL AGOR HI 300W NW



FL AGOR/A HI 300W NW

ACCESSORIES:

33482 FL AGOR HI GRID 240W Protective grid for floodlight FL AGOR HI 240W, FL AGOR HI GRID 240W, silver (33482)



33483 FL AGOR HI GRID 300W Protective grid for floodlight FL AGOR HI 300W, FL AGOR HI GRID 300W, silver (33483)

