

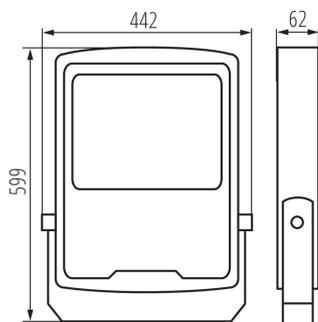
33479 FL AGOR/A HI 300W NW

LED floodlight

5905339334794



up to
150 lm/W



Kanlux AGOR HI floodlights have two high power options: 240W and 300W. These floodlights are available in two versions: FL AGOR HI (symmetrical), FL AGOR / A HI (asymmetrical) with a 5-year warranty. Kanlux AGOR LED HI is a professional product, we took care of protection against overvoltage (6kV), high tightness (IP 65) and resistance to mechanical damage (IK08). An additional advantage is very high efficiency: up to 150lm / W. Luminaires are designed to illuminate larger industrial, commercial and recreational areas. An additional safety accessory is a protective grid.

TYPE OF LIGHT SOURCE:

Lighting technology used: LED

Non-directional or directional light source: DLS

Mains or non-mains light source: MLS

Connected light source (CLS): no

Colour-tuneable light source: no

High luminance light source: no

Anti-glare shield: no

Dimmable: no

PRODUCT PARAMETERS:

Colour: black

Place of assembly: wall mounted, ceiling mounted, surface mounted

Place of application: outdoors

Minimum distance from the illuminated object: 1m

Compatible with a dimmer: no

Width [mm]: 442

Height [mm]: 599

Depth [mm]: 62

Mercury content: no

Integrated LED light source: yes

Rated voltage [V]: 220-240 AC

Rated frequency [Hz]: 50

Power factor: 0.98

Maximum power [W]: 300

Class of protection against electric shock: I

Diode type: LED SMD

Luminous flux [lm]: 45000

Colour temperature: white

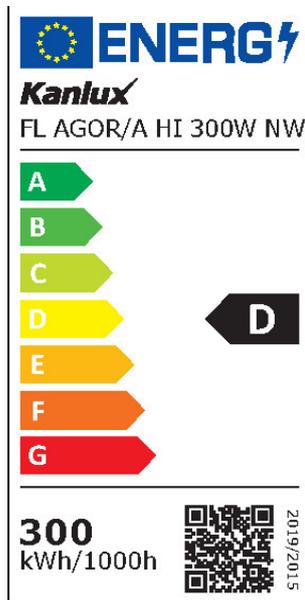
Service life [h]: 50000

Number of on/off cycles: ≥ 50000

Lighting angle [°]: X40/Y90

33479 FL AGOR/A HI 300W NW

LED floodlight



Ambient temperature range to which the product can be exposed: -20÷45

Enclosure material: aluminum alloy

Protective glass material: Tempered glass

Connection type: Free cable ends

Wire type: H05RN-F

Wire length [m]: 0.28

Wire diameter [mm²]: 1

Lamp-heating time [s]: ≤0,5

Lamp-ignition time [s]: ≤0,5

The fixture is movable vertically [°]: 180

IK class: 08

IP class: 65

PARAMETERS FOR DIRECTIONAL LIGHT SOURCES:

Peak luminous intensity [cd]: 40535

Beam angle [°]: 90

PARAMETERS FOR LED AND OLED LIGHT SOURCES:

Energy consumption in on-mode of the light source (kWh/1000h): 300

Energy efficiency class: D

Useful luminous flux of the light source Φ_{use} [lm]: 36000

Useful luminous flux of the light source Φ_{use} [lm]: in wide cone (120°)

Correlated colour temperature [K]: 4000

Colour consistency in McAdam ellipses: ≤6

On-mode power of the light source P_{on} [W]: 300

Height of the light source [mm]: 500

Width of the light source [mm]: 442

Depth of the light source [mm]: 62

Colour rendering index: 70

Chromaticity coordinates (x): 0,38

Chromaticity coordinates (y): 0,38

R9 colour rendering index value: -27

Survival factor: 0,9

The lumen maintenance factor: 0.96

PARAMETERS FOR LED AND OLED MAINS LIGHT SOURCES:

Displacement factor ($\cos \phi_1$): 0.98

LED light source replaces a fluorescent light source without integrated ballast of a particular wattage: Not applicable

Flicker metric (Pst LM): 1,0

Stroboscopic effect metric (SVM): 0,4

33479 FL AGOR/A HI 300W NW

LED floodlight

LOGISTIC DATA:

Packaging method: 1

Number of units in the secondary packaging: 1

Number of units in the packaging: 1

Net unit weight [g]: 10440

Grammage [g]: 11380

Length of a unit pack [cm]: 47

Width of a unit pack [cm]: 9

Height of a unit pack [cm]: 62.5

Weight of a cardboard box [kg]: 11.38

Width of a cardboard box [cm]: 9

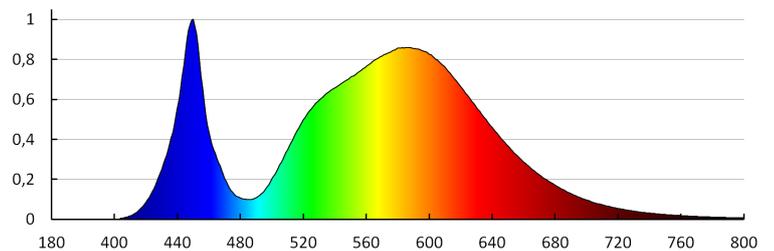
Height of a cardboard box [cm]: 62.5

Length of a cardboard box [cm]: 47

Volume of a cardboard box [m³]: 0.026438

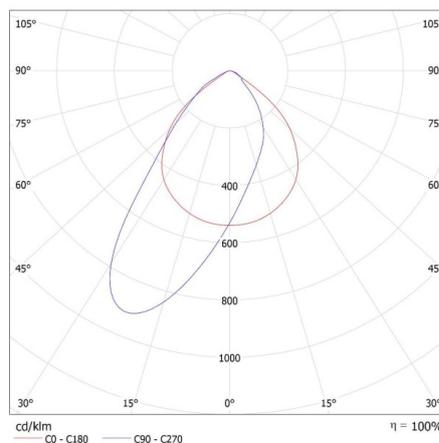
ADDITIONAL INFORMATION:

- 5 years Warranty under the terms of the warranty statement, available on our website



KANLUX S.A. (kat 33479) FL AGOR/A HI 300W NW / LDC (Polar)

Luminaire: KANLUX S.A. (kat 33479) FL AGOR/A HI 300W NW
Lamps: 1 x FL AGOR HI 300W NW

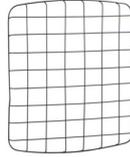


33479 FL AGOR/A HI 300W NW

LED floodlight

ACCESSORIES:

33482 FL AGOR HI GRID 240W Protective grid for floodlight FL AGOR HI 240W, FL AGOR HI GRID 240W, black (33482)



33483 FL AGOR HI GRID 300W Protective grid for floodlight FL AGOR HI 300W, FL AGOR HI GRID 300W, black (33483)

