

Kanlux

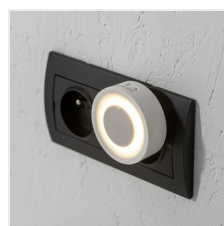


Kanlux RIBI LED

Kanlux RIBI LED is a compact plug-in luminaire with a motion and dusk sensor, providing gentle light exactly when it is needed. Thanks to its three operating modes – continuous light, AUTO mode, and OFF function – it can be easily adapted to everyday user needs. Its minimalist design, lightweight housing, and two colour options – white and black – make the RIBI LED a good fit for modern interiors.



[V] 220-240 AC	[Hz] 50	≥20000	ellipse ≤ 6x Maxdiam	Hg	SMD	
	IP 20	house icon	120	[s] - [min] 20s	PIR	[lx] 20
CE	EAC	UK CPA				



RIBI LED WW W



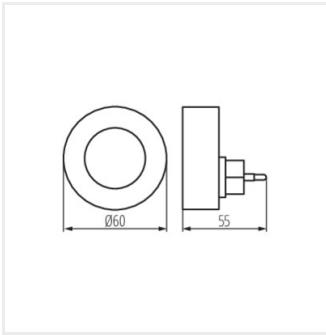
		[W]	[lm]	Tc [K]	
RIBI LED WW W	46380	0.33	4	2700	white
RIBI LED WW B	46381	0.33	1	2700	black



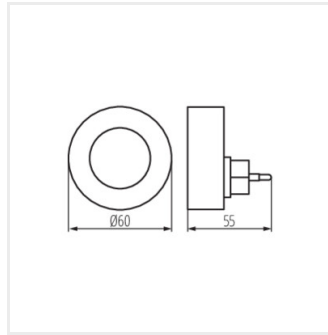
RIBI LED WW W



RIBI LED WW B



RIBI LED WW W



RIBI LED WW B

Date of issue: 26.06.2026, 19:30

We reserve the right to make technical changes. The data contained in this material are not legally binding.

Photometry: the results obtained from testing were from a specific sample.

Kanlux S.A. ul. Objazdowa 1-3, 41-922 Radzionków, Poland kanlux@kanlux.com