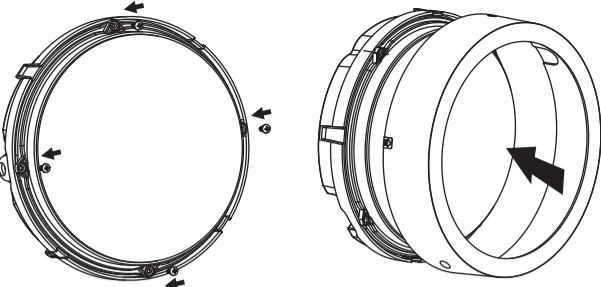
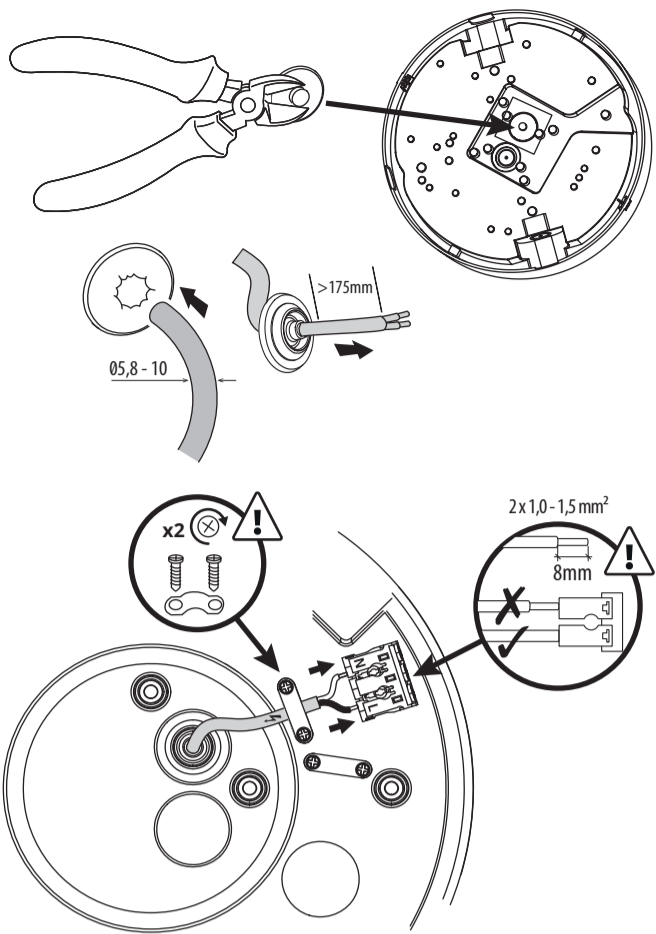


OPTION 1



SETTINGS

Table with columns: PIN1, PIN2, I rated [mA], P rated [W], I rated [V_{oc}], U_v/F_v, I_n [A], t_a [°C], λ, and Power.

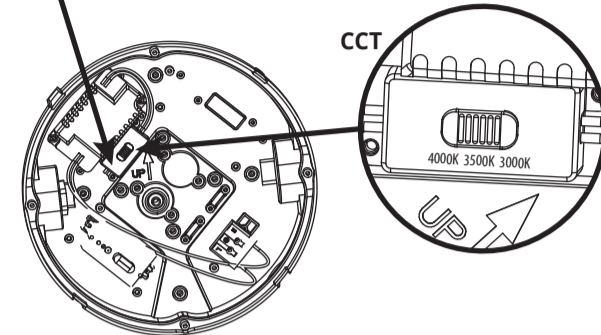


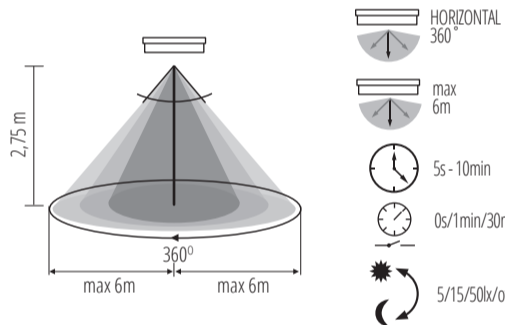
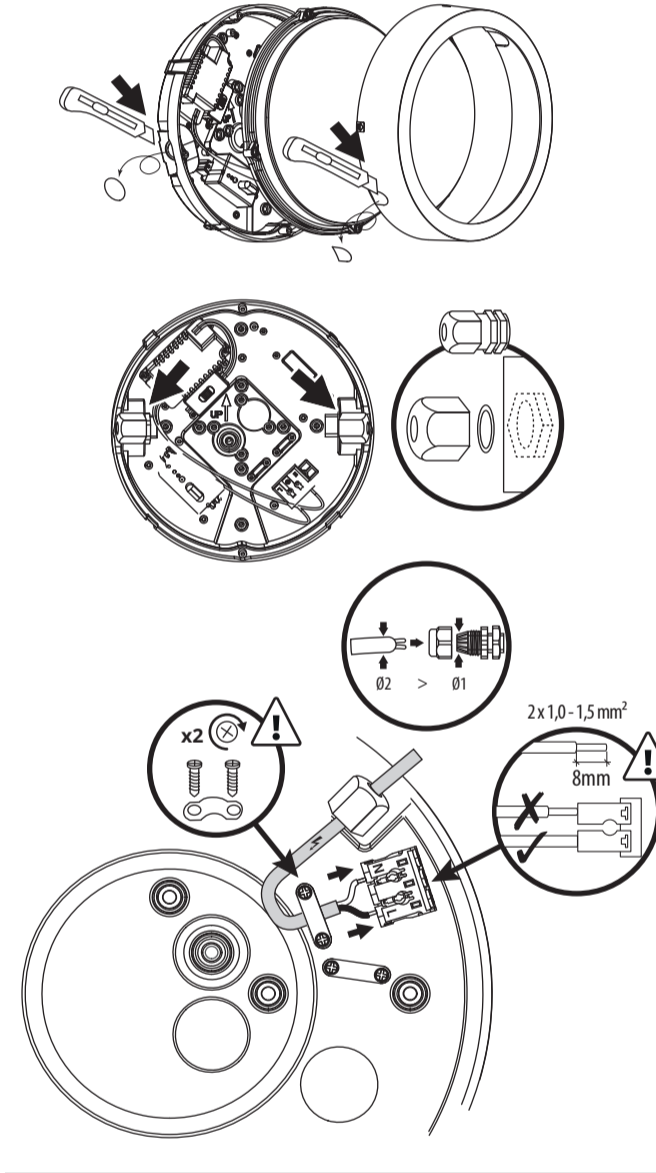
Table for DABER 8-13W CCT SE B with columns for 150mA, 180mA, 220mA, 250mA (Lumen, Power).

Table for DABER 8-13W CCT SE W with columns for 150mA, 180mA, 220mA, 250mA (Lumen, Power).

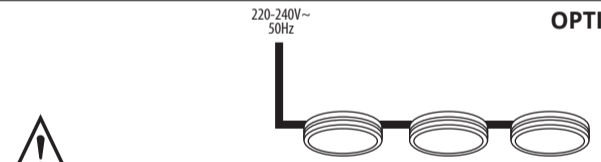
Table for DABER 12-20W CCT SE B with columns for 150mA, 180mA, 220mA, 250mA (Lumen, Power).

Table for DABER 12-20W CCT SE W with columns for 150mA, 180mA, 220mA, 250mA (Lumen, Power).

OPTION 2



OPTION B



Through-wiring of the fixtures possible / Durchgangsverbindung der Leuchten möglich / Possibilità di collegamento passante delle plafoniere /

Not included / Nicht im Set enthalten / Non incluso nel kit / Niet inbegrepen /

Use only recommended batteries or those of the same or equivalent type. Batteries are to be inserted with the correct polarity.

baterie vždy vyjměte z výrobku. Pokud nebudete přístroj delší dobu používat, vyjměte baterie. Nepokoušejte se dobít nedobíjecí baterie.

