

KDB

KDB-series distribution board



KDB-S06T



IP

KDB-S06T	23610	white / blue	6P	wall mounted	30
KDB-S08T	23611	white / blue	8P	wall mounted	30
KDB-S12T	23612	white / blue	12P	wall mounted	30
KDB-S18T	23613	white / blue	18P	wall mounted	30
KDB-S24T	23614	white / blue	24P	wall mounted	30
KDB-S36T	23615	white / blue	36P	wall mounted	30
KDB-F06T	23616	white / blue	6P	Recessed mount in the wall	30
KDB-F08T	23617	white / blue	8P	Recessed mount in the wall	30
KDB-F12T	23618	white / blue	12P	Recessed mount in the wall	30
KDB-F18T	23619	white / blue	18P	Recessed mount in the wall	30
KDB-F24T	23620	white / blue	24P	Recessed mount in the wall	30
KDB-F36T	23621	white / blue	36P	Recessed mount in the wall	30
KDB-F12P	23622	white	12P	Recessed mount in the wall	30
KDB-F24P	23623	white	24P	Recessed mount in the wall	30
KDB-S12P	23624	white	12P	wall mounted	30
KDB-S24P	23625	white	24P	wall mounted	30
KDB-F54P	28340	white	54P	Recessed mount in the wall	30
KDB-F54P-M	28341	white	18P	Recessed mount in the wall	30

KDB series switchboards meeting the requirement for heat resistance at the temperature of 650°C, can be used on non-flammable surfaces only (e.g. full solid walls made of non-combustible materials). They cannot be used on

KDB

KDB-series distribution board

flammable surfaces (e.g. plasterboard, wood boards, etc.), on the so-called "hollow walls" or on technical sections

- Material: plastic



KDB-S06T



KDB-S08T



KDB-S12T



KDB-S18T



KDB-S24T



KDB-S36T



KDB-F06T



KDB-F08T



KDB-F12T



KDB-F18T



KDB-F24T



KDB-F36T

KDB

KDB-series distribution board



KDB-F12P



KDB-F24P



KDB-S12P



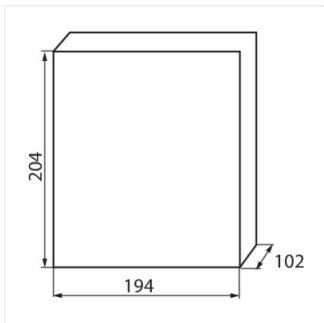
KDB-S24P



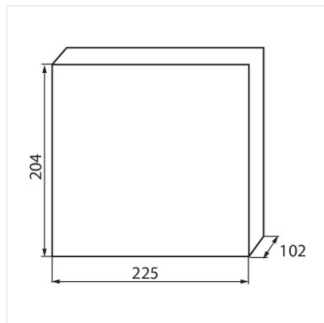
KDB-F54P



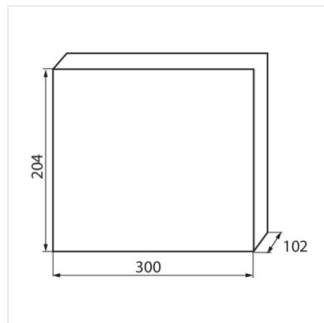
KDB-F54P-M



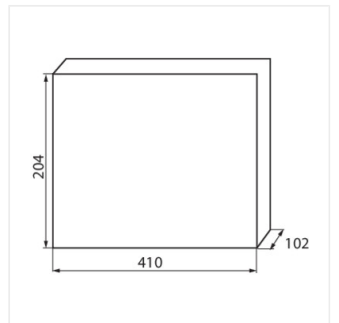
KDB-S06T



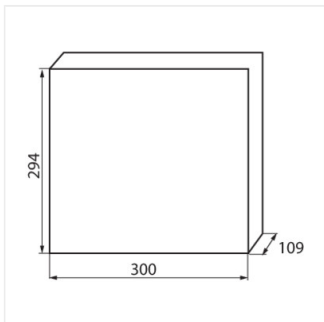
KDB-S08T



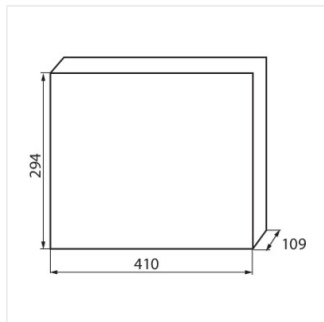
KDB-S12T



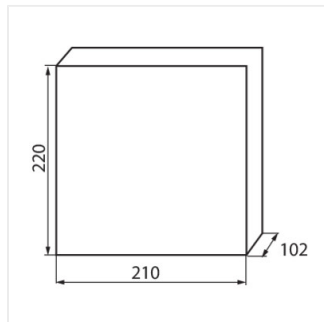
KDB-S18T



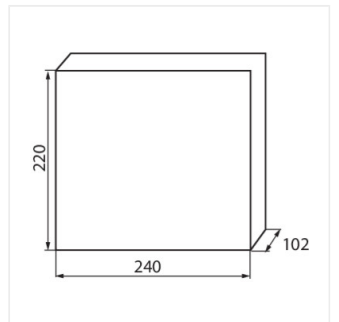
KDB-S24T



KDB-S36T



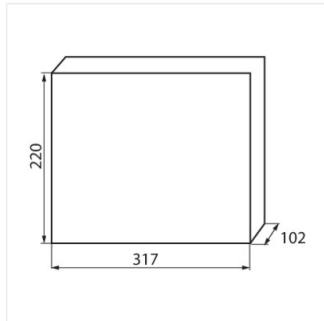
KDB-F06T



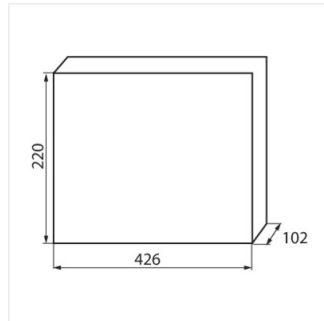
KDB-F08T

KDB

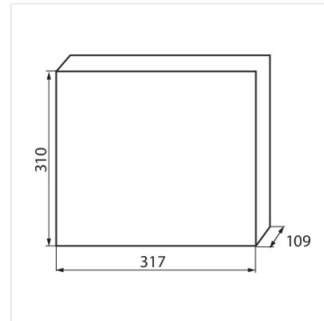
KDB-series distribution board



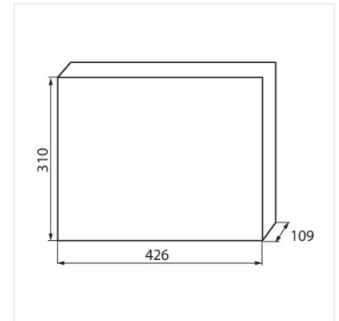
KDB-F12T



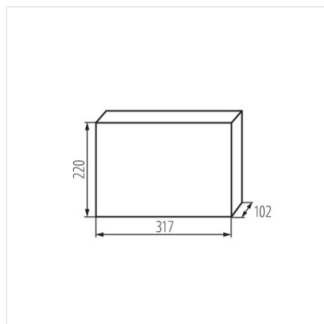
KDB-F18T



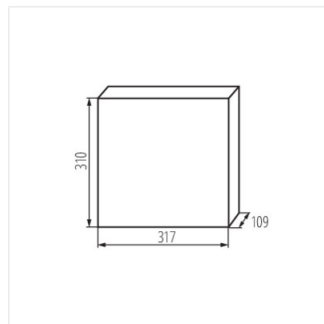
KDB-F24T



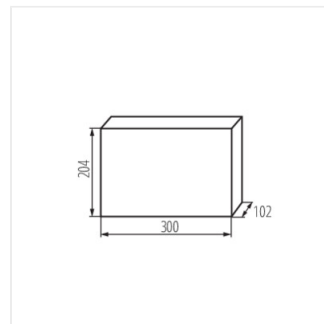
KDB-F36T



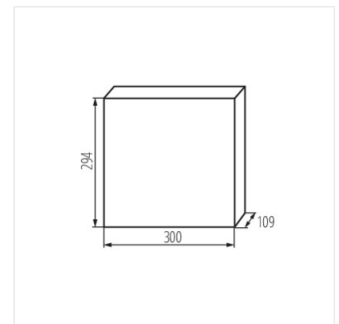
KDB-F12P



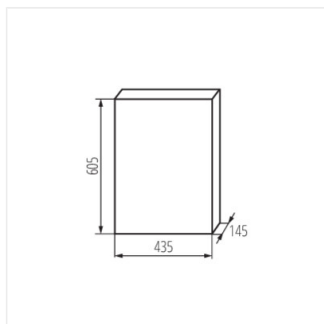
KDB-F24P



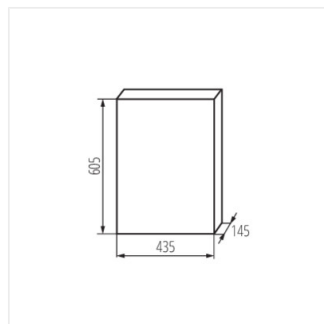
KDB-S12P



KDB-S24P



KDB-F54P



KDB-F54P-M