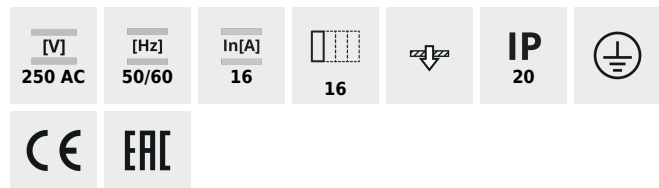


BIURO+

Floor installation box



BIURO+ 04-0021-100



BIURO+ 04-0021-100	28303	anthracite	16
BIURO+ 04-0022-100	28304	stainless steel	16
BIURO+ 04-0023-100	28305	do wypełnienia	16

Floor box designed for installation in technical floors. The box provides space for 8 full 45 modules. The model is characterised by first protection class owing to the metal base. Latch lock, meant to protect the cables against damage, is another advantage of the cover construction. Floor box of BIURO plus series allows for adjusting the embedment depth, which in turn improves the bending safety of connected cables. We can choose out of three types of covers: full plastic, plastic with stainless steel finish and cover to be filled in with material (maximum thickness of inserted material: 7mm).

BIURO+

Floor installation box



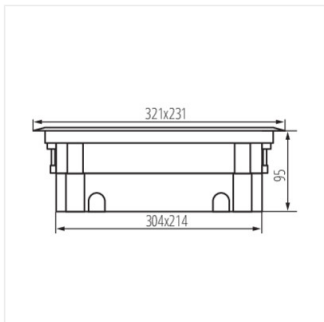
BIURO+ 04-0021-100



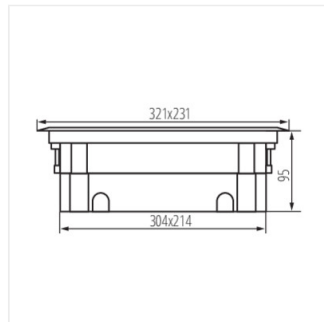
BIURO+ 04-0022-100



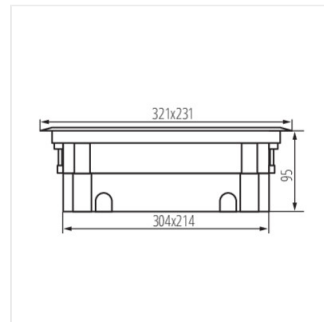
BIURO+ 04-0023-100



BIURO+ 04-0021-100



BIURO+ 04-0022-100



BIURO+ 04-0023-100