

GU10 2,7W

LED източник на светлина



[V] 220-240 AC	[Hz] 50	PAR16	SMD	[W] 2,7	120° Φ _{use}	lm W 89
ellipse ≤ 6x MacAdam	Ra 80	≥15000	[h] 15000	Hg		CE
EAC	UK CA					

GU10 2,7W-WW LED



	P _{out} [W]	[lm]	[lm] Φ _{use}	T _c [K]	[°]		E _i A ₁ G
GU10 2,7W-WW LED 31227	2,7	25	240	220	3000	100	GU10 F
GU10 2,7W-NW LED 31228	2,7	25	240	220	4000	100	GU10 F
GU10 2,7W-CW LED 31229	2,7	25	240	220	5000	100	GU10 F

- Материал: пластмаса
- Материал на дифузера: пластмаса



GU10 2,7W-WW LED



GU10 2,7W-NW LED



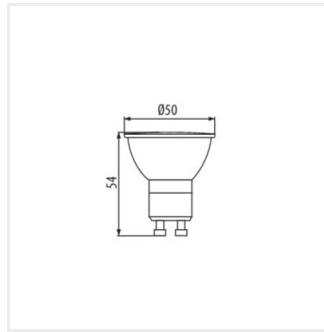
GU10 2,7W-CW LED

GU10 2,7W

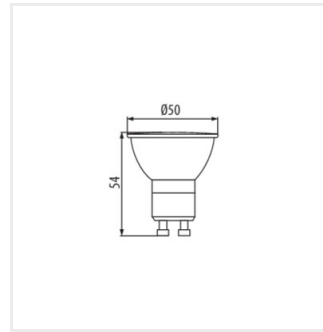
LED източник на светлина



GU10 2,7W-WW LED



GU10 2,7W-NW LED



GU10 2,7W-CW LED