

# GU10 LED

LED източник на светлина



[V] 220-240 AC	[Hz] 50	PAR16	SMD	120° Φ <sub>use</sub>	ellipse ≤ 6x MacAdam	Ra 80
≥15000	15000 <sup>[h]</sup>	Hg		CE	EAC	UK CA
↓						

## GU10 4W-WW LED

PON [W]	[W]	[lm]	[lm] Φ <sub>use</sub>	Tc [K]	[°]		Ei A f G
------------	-----	------	-----------------------	--------	-----	--	-------------------

GU10 4W-WW LED	<b>31230</b>	4	35	380	320	3000	100	GU10	G
GU10 4W-NW LED	<b>31231</b>	4	35	380	320	4000	100	GU10	G
GU10 4W-CW LED	<b>31232</b>	4	35	380	320	5000	100	GU10	G
GU10 6W-WW LED	<b>31233</b>	6	45	520	430	3000	100	GU10	G
GU10 6W-NW LED	<b>31234</b>	6	45	520	430	4000	100	GU10	G
GU10 6W-CW LED	<b>31235</b>	6	45	520	430	5000	100	GU10	G
GU10 8W-WW LED	<b>31236</b>	8	57	690	560	3000	100	GU10	G
GU10 8W-NW LED	<b>31237</b>	8	57	690	560	4000	100	GU10	G
GU10 8W-CW LED	<b>31238</b>	8	57	690	560	5000	100	GU10	G

- Материал на дифузера: пластмаса

## GU10 LED

LED източник на светлина



GU10 4W-WW LED



GU10 4W-NW LED



GU10 4W-CW LED



GU10 6W-WW LED



GU10 6W-NW LED



GU10 6W-CW LED



GU10 8W-WW LED



GU10 8W-NW LED

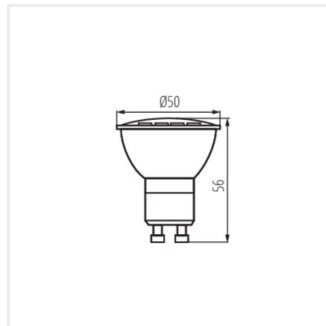


GU10 8W-CW LED

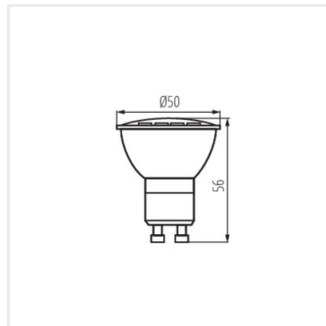
## GU10 LED

---

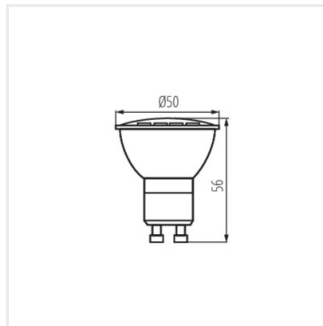
LED източник на светлина



GU10 4W LED



GU10 6W LED



GU10 8W LED