

KMCCB

Wyłącznik kompaktowy MCCB



[V] 230/400 AC	[Hz] 50	Ui [V] 800	Uimp [V] 8000		IP 20	
	CE	EAC	UK CA			



KMCCB-RT-125A

		U _e	I _{cs}	I _{cu}	I _n [A]
KMCCB-RT-125A	37281	380/415 220/230	18kA (380/415V AC) 25kA (220/230V AC)	25kA (380/415V AC) 36kA (220/230V AC)	125
KMCCB-RT-160A	37282	380/415 220/230	27kA (380/415V AC) 36kA (220/230V AC)	36kA (380/415V AC) 50kA (220/230V AC)	160
KMCCB-RT-200A	37283	380/415 220/230	27kA (380/415V AC) 36kA (220/230V AC)	36kA (380/415V AC) 50kA (220/230V AC)	200
KMCCB-RT-250A	37284	380/415 220/230	27kA (380/415V AC) 36kA (220/230V AC)	36kA (380/415V AC) 50kA (220/230V AC)	250



KMCCB-RT-125A



KMCCB-RT-160A



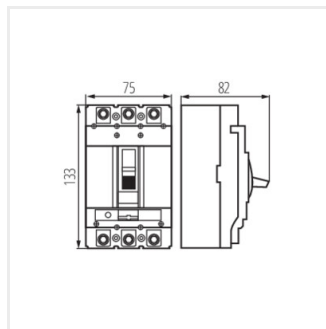
KMCCB-RT-200A



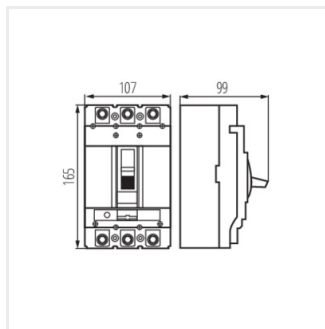
KMCCB-RT-250A

KMCCB

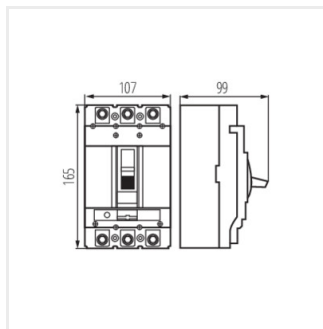
Wyłącznik kompaktowy MCCB



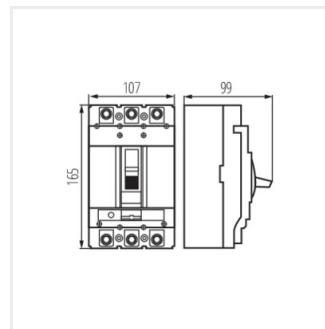
KMCCB-RT-125A



KMCCB-RT-160A



KMCCB-RT-200A



KMCCB-RT-250A