

T8 LED

LED източник на светлина

100 $\frac{\text{lm}}{\text{W}}$

GLASS tube

IC driver

[V] 220-240 AC	[Hz] 50	T8 LED	SMD	360° Φuse	ellipse ≤ 6x Macadam	Ra 80
≥20000	20000 [h]	Hg	RoHS	ONE SIDE INPUT	°C -10+40	CE
EAC	UK CA	↓				



T8 LED 9-NW



Model	Power [W]	Length [mm]	Length [cm]	Beam Angle [°]	Base	Beam Spread
T8 LED 9-NW	37630	9	900	4000	200	G13 F
T8 LED 9-CW	37631	9	900	6500	200	G13 F
T8 LED 18-NW	37632	18	1820	4000	200	G13 F
T8 LED 18-CW	37633	18	1820	6500	200	G13 F
T8 LED 22-CW	37635	22	2270	6500	200	G13 F

- Материал на дифузера: стъкло

T8 LED

LED източник на светлина



T8 LED 9-NW



T8 LED 9-CW



T8 LED 18-NW



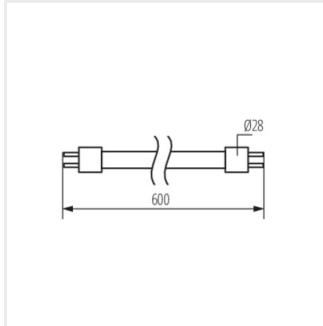
T8 LED 18-CW



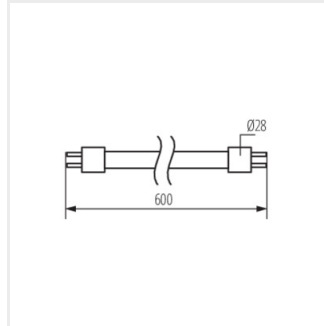
T8 LED 22-CW

T8 LED

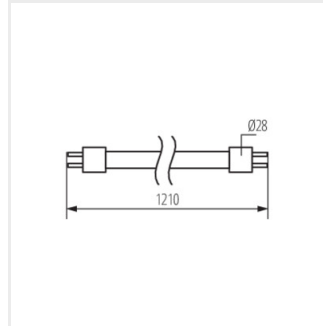
LED източник на светлина



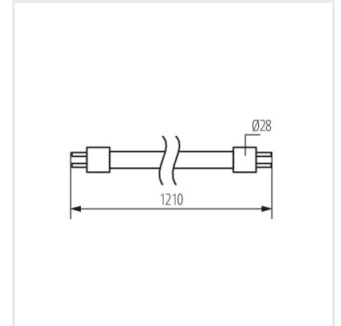
T8 LED 9-NW



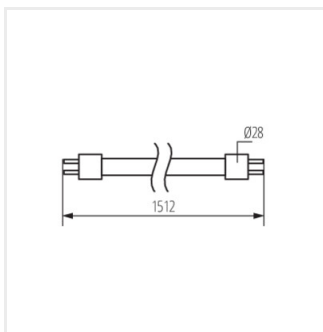
T8 LED 9-CW



T8 LED 18-NW



T8 LED 18-CW



T8 LED 22-CW