

## T8 N LED

### Světelný zdroj LED

up to  
**110**  $\frac{\text{lm}}{\text{W}}$

GLASS  
tube

IC  
driver

[V] 220-240 AC	[Hz] 50	T8 LED	SMD	360° Φuse	ellipse ≤ 6x Macadam	Ra 80
≥10000	[h] 15000	<del>Hg</del>	<del>RoHS</del>	ONE SIDE INPUT	°C -10+40	CE
EAC	UK CA	↓				



### T8 N LED 18W-CW



Model	Power [W]	Length [mm]	Beam Angle [°]	Temp. [K]	Base	Class
T8 N LED 18W-CW <b>31190</b>	18	2000	6500	200	G13	E
T8 N LED 18W-NW <b>31191</b>	18	2000	4000	200	G13	E
T8 N LED 22W-NW <b>31192</b>	22	2420	4000	200	G13	E
T8 N LED 9W-CW <b>31193</b>	9	1000	6500	200	G13	E
T8 N LED 9W-NW <b>31194</b>	9	1000	4000	200	G13	E

- Materiál difuzoru: sklo



T8 N LED 18W-CW



T8 N LED 18W-NW



T8 N LED 22W-NW



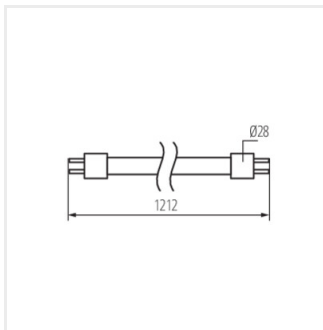
T8 N LED 9W-CW

# T8 N LED

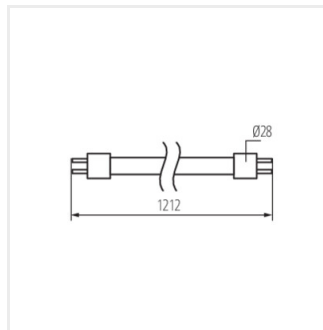
## Světelný zdroj LED



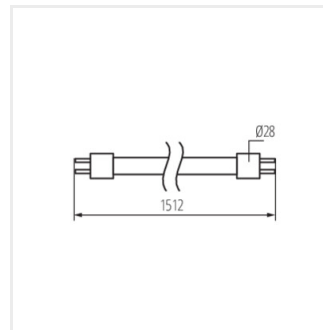
T8 N LED 9W-NW



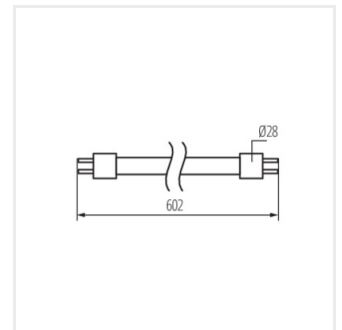
T8 N LED 18W-CW



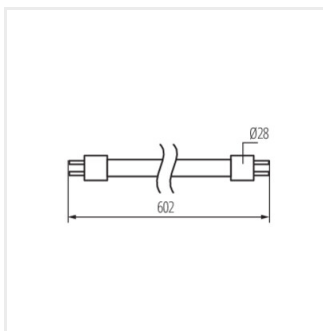
T8 N LED 18W-NW



T8 N LED 22W-NW



T8 N LED 9W-CW



T8 N LED 9W-NW