

## GU10 N LED

### Světelný zdroj LED



$[V]$ 220-240 AC	$[Hz]$ 50	 PAR16	 SMD	 $120^\circ$ $\Phi_{use}$	 ellipse $\leq 6x$ MacAdam	 Ra 80
 $\geq 15000$	 $[h]$ 15000					



GU10 N LED 4W-CW



	P.ON [W]	[W]	[lm]	[lm] $\Phi_{use}$	Tc [K]	[°]		Eii A1 G
GU10 N LED 4W-CW	<b>31210</b>	4	26	340	275	5300	120	GU10 G
GU10 N LED 4W-NW	<b>31211</b>	4	26	340	275	4000	120	GU10 G
GU10 N LED 4W-WW	<b>31212</b>	4	26	340	275	3000	120	GU10 G
GU10 N LED 6W-WW	<b>31215</b>	6	34	485	400	3000	120	GU10 G
GU10 N LED 8W-WW	<b>31217</b>	8	44	660	530	3000	120	GU10 G

- Materiál difuzoru: plast



## GU10 N LED

---

### Světelný zdroj LED



GU10 N LED 4W-CW



GU10 N LED 4W-NW



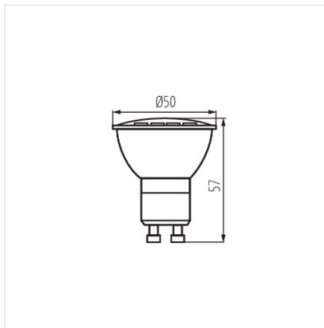
GU10 N LED 4W-WW



GU10 N LED 6W-WW



GU10 N LED 8W-WW



GU10 N LED