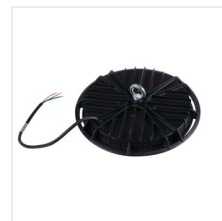
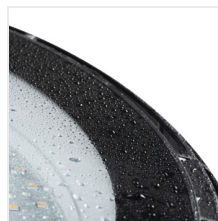
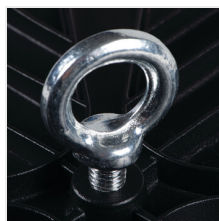


## HB UFO LED

Stropní svítidlo LED high bay



[V] 220-240 AC	[Hz] 50	[°] 110	 ≥25000	[h] 20000	ellipse ≤ 6x MacAdam	Ra 80
SMD			IP 65		[°C] -20÷40	
IK 05			1m		CE	EAC
UK CA						



### HB UFO LED 100W-NW



Model	Power [W]	Lumen [lm]	lm/Φ <sub>use</sub>	T <sub>c</sub> [K]	Color	Beam Angle
HB UFO LED 100W-NW <b>31405</b>	100	10000	8500	4000	černá	F
HB UFO LED 150W-NW <b>31406</b>	150	15000	12600	4000	černá	F
HB UFO LED 200W-NW <b>31407</b>	200	20000	17000	4000	černá	F

- Materiál korpusu: hliníková slitina
- Materiál ochranného skla: tvrzené sklo



## HB UFO LED

Stropní svítidlo LED high bay



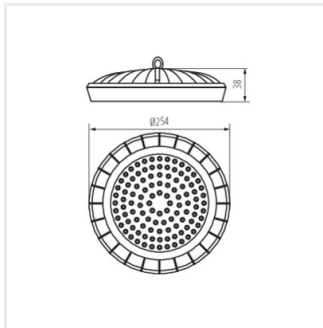
HB UFO LED 100W-NW



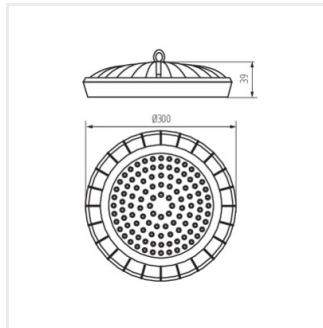
HB UFO LED 150W-NW



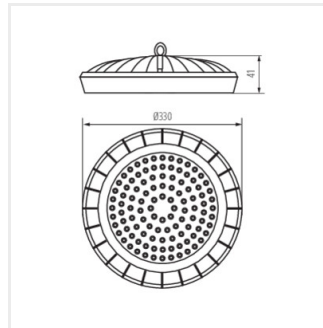
HB UFO LED 200W-NW



HB UFO LED 100W-NW



HB UFO LED 150W-NW



HB UFO LED 200W-NW