

## DICHT LED

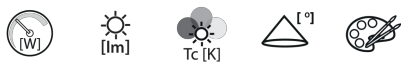
### Prachotěsné LED svítidlo



<b>[V]</b> 220-240 AC	<b>[Hz]</b> 50	$\geq 25000$	<b>20000</b>	ellipse $\leq 6x$ MacAdam	<b>80</b>	<b>SMD</b>
		<b>IP</b> 65		$^{\circ}\text{C}$ -20÷40		
$(\text{mm}^2)$ 1+2,5	<b>0,5m</b>	$360^{\circ}$ $\Phi_{\text{use}}$	<b>CE</b>	<b>EAC</b>	<b>UK</b> <b>CA</b>	



### DICHT LED 18W-NW



	<b>[W]</b>	<b>[lm]</b>	<b>Tc [K]</b>	<b>[°]</b>	
DICHT LED 18W-NW <b>31410</b>	18	1800	4000	110	šedá
DICHT LED 36W-NW <b>31411</b>	36	3600	4000	110	šedá
DICHT LED 48W-NW <b>31412</b>	48	4800	4000	110	šedá

- Materiál korpusu: plast
- Materiál difuzoru: PC



# DICHT LED

---

## Prachotěsné LED svítidlo



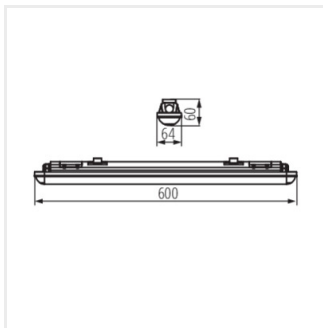
DIGHT LED 18W-NW



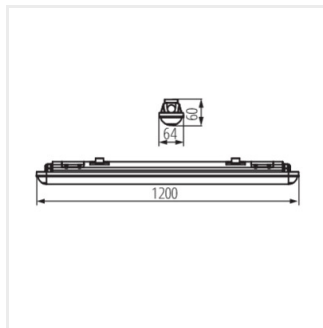
DIGHT LED 36W-NW



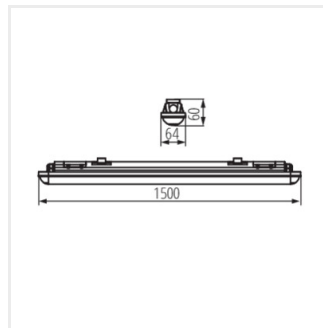
DIGHT LED 48W-NW



DIGHT LED 18W-NW



DIGHT LED 36W-NW



DIGHT LED 48W-NW