

## AL-ML-PT

Lineární LED svítidlo



|                   |            |                 |              |                        |          |     |
|-------------------|------------|-----------------|--------------|------------------------|----------|-----|
| [V]<br>220-240 AC | [Hz]<br>50 | ≥30000          | [h]<br>50000 | ellipse<br>≤3x MacAdam | Ra<br>80 | SMD |
|                   |            | <b>IP</b><br>20 |              | [°C]<br>5÷25           |          |     |
| [mm²]<br>1,5÷2,5  |            | 0,5m            |              |                        |          |     |



### AL-ML-NW-MAT-B-PT

|                                | [W] | Tc [K] |                  | [°]     | [mm]     | [m]  | [mm] |
|--------------------------------|-----|--------|------------------|---------|----------|------|------|
| AL-ML-NW-MAT-B-PT <b>34020</b> | 25  | 4000   | matná            | X85/Y95 | černá    | 3250 | 1150 |
| AL-ML-NW-MAT-S-PT <b>34032</b> | 25  | 4000   | matná            | X85/Y95 | stříbrná | 3250 | 1150 |
| AL-ML-NW-MAT-W-PT <b>34008</b> | 25  | 4000   | matná            | X85/Y95 | bílá     | 3250 | 1150 |
| AL-ML-NW-MPR-B-PT <b>34024</b> | 25  | 4000   | mikroprizmatický | X75/Y90 | černá    | 3000 | 1150 |
| AL-ML-NW-MPR-S-PT <b>34036</b> | 25  | 4000   | mikroprizmatický | X75/Y90 | stříbrná | 3000 | 1150 |
| AL-ML-NW-MPR-W-PT <b>34012</b> | 25  | 4000   | mikroprizmatický | X75/Y90 | bílá     | 3000 | 1150 |
| AL-ML-WW-MAT-B-PT <b>34022</b> | 25  | 3000   | matná            | X85/Y95 | černá    | 2980 | 1150 |
| AL-ML-WW-MAT-S-PT <b>34034</b> | 25  | 3000   | matná            | X85/Y95 | stříbrná | 2980 | 1150 |
| AL-ML-WW-MAT-W-PT <b>34010</b> | 25  | 3000   | matná            | X85/Y95 | bílá     | 2980 | 1150 |
| AL-ML-WW-MPR-B-PT <b>34026</b> | 25  | 3000   | mikroprizmatický | X75/Y90 | černá    | 2750 | 1150 |
| AL-ML-WW-MPR-S-PT <b>34038</b> | 25  | 3000   | mikroprizmatický | X75/Y90 | stříbrná | 2750 | 1150 |
| AL-ML-WW-MPR-W-PT <b>34014</b> | 25  | 3000   | mikroprizmatický | X75/Y90 | bílá     | 2750 | 1150 |

- 5 let záruky shodně s podmínkami záručního prohlášení dostupného na internetové stránce
- Materiál korpusu: ocel
- Materiál difuzoru: plast

## AL-ML-PT

Lineární LED svítidlo



AL-ML-NW-MAT-B-PT



AL-ML-NW-MAT-S-PT



AL-ML-NW-MAT-W-PT



AL-ML-NW-MPR-B-PT



AL-ML-NW-MPR-S-PT



AL-ML-NW-MPR-W-PT



AL-ML-WW-MAT-B-PT



AL-ML-WW-MAT-S-PT



AL-ML-WW-MAT-W-PT



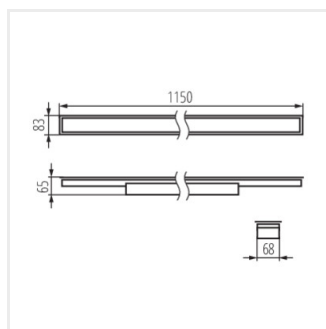
AL-ML-WW-MPR-B-PT



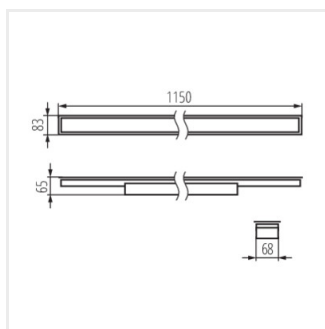
AL-ML-WW-MPR-S-PT



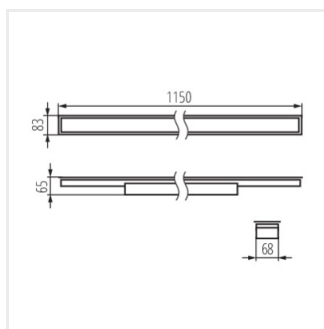
AL-ML-WW-MPR-W-PT



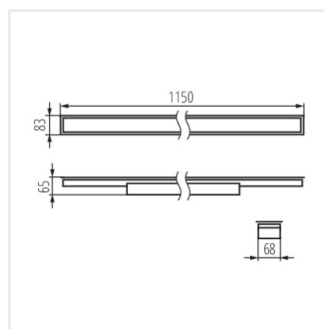
AL-ML-NW-MAT-B-PT



AL-ML-NW-MAT-S-PT



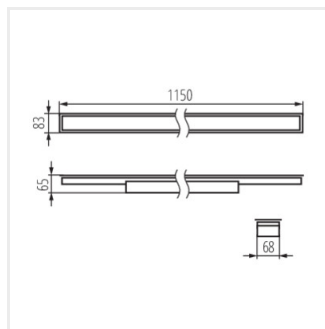
AL-ML-NW-MAT-W-PT



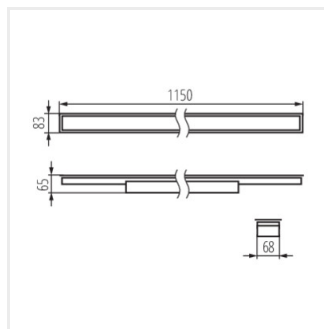
AL-ML-NW-MPR-B-PT

## AL-ML-PT

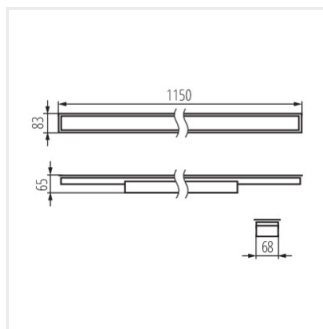
Lineární LED svítidlo



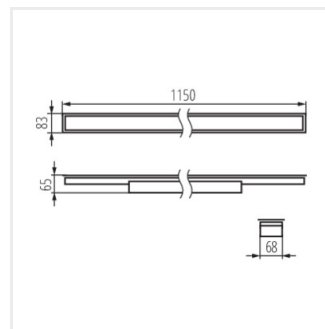
AL-ML-NW-MPR-S-PT



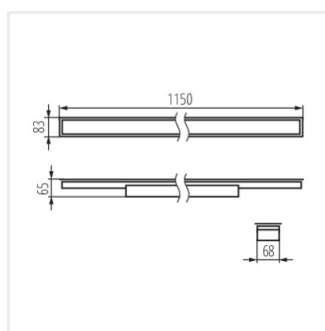
AL-ML-NW-MPR-W-PT



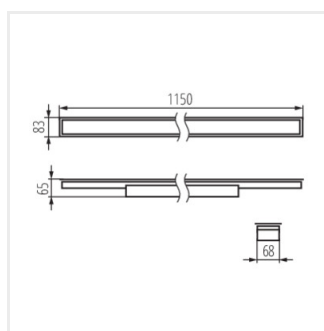
AL-ML-WW-MAT-B-PT



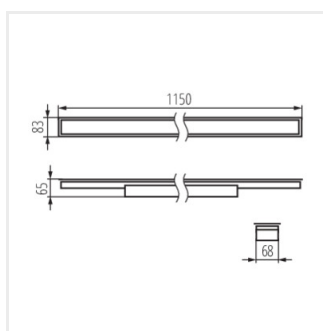
AL-ML-WW-MAT-S-PT



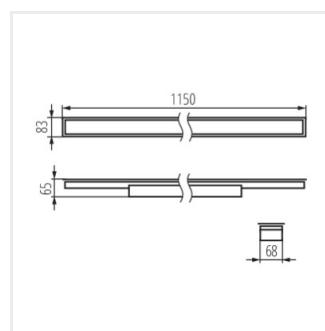
AL-ML-WW-MAT-W-PT



AL-ML-WW-MPR-B-PT



AL-ML-WW-MPR-S-PT



AL-ML-WW-MPR-W-PT

