

KMB10

Jistič, 3P



[Hz] 50	Icn [A] 10000	 B	 3P	 3	IP 20	 1÷25 [mm ²]
 -5÷40 °C	 TH 35	 500				

KMB10-B10/3

	[V]		In [A]
KMB10-B10/3	39331	400 AC	3 10
KMB10-B16/3	39336	400 AC	3 16
KMB10-B20/3	39341	400 AC	3 20
KMB10-B25/3	39345	400 AC	3 25
KMB10-B32/3	39349	400 AC	3 32
KMB10-B40/3	39354	400 AC	3 40
KMB10-B50/3	39358	400 AC	3 50
KMB10-B6/3	39362	400 AC	3 6
KMB10-B63/3	39366	400 AC	3 63

KMB10

Jistič, 3P



KMB10-B10/3



KMB10-B16/3



KMB10-B20/3



KMB10-B25/3



KMB10-B32/3



KMB10-B40/3



KMB10-B50/3



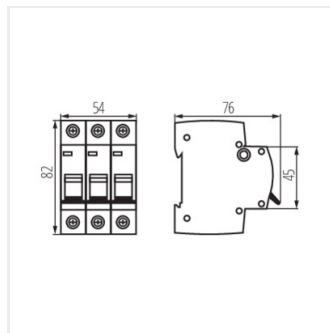
KMB10-B6/3



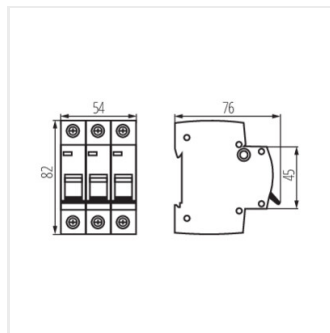
KMB10-B63/3

KMB10

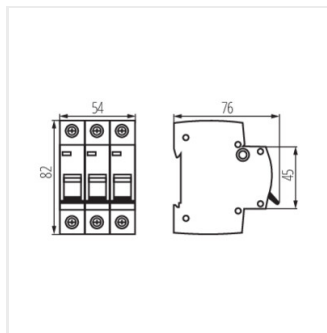
Jistič, 3P



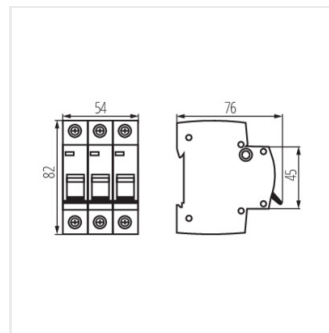
KMB10-B10/3



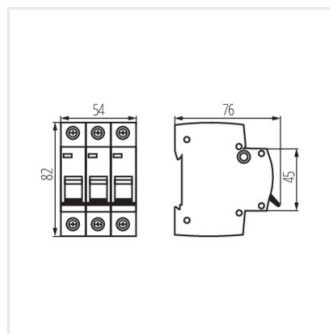
KMB10-B16/3



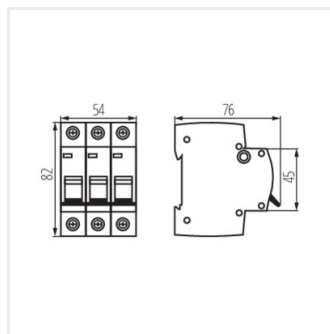
KMB10-B20/3



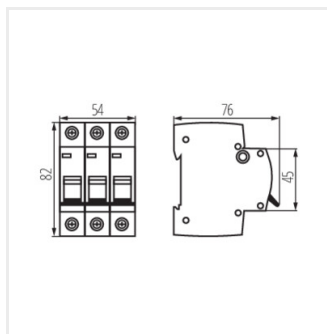
KMB10-B25/3



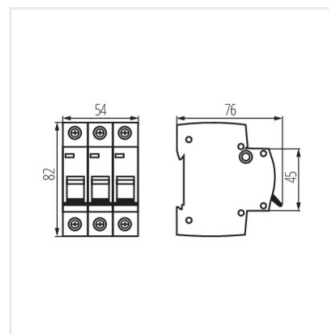
KMB10-B32/3



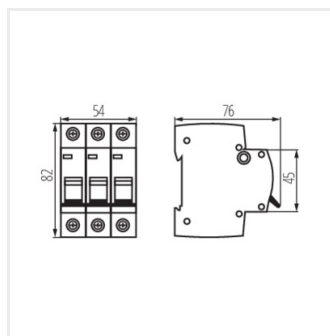
KMB10-B40/3



KMB10-B50/3



KMB10-B6/3



KMB10-B63/3