

## KMB6

Leitungsschutzschalter, 3P



[Hz] 50	 B	 3P	 3	IP 20	 1÷25	 5÷40
 TH 35	 500	CE	EAC	VDE	UK CA	

KMB6-B16/3

KMB6-B16/3	<b>23149</b>	230/400 AC	3	16
KMB6-B20/3	<b>23152</b>	230/400 AC	3	20
KMB6-B25/3	<b>23153</b>	230/400 AC	3	25
KMB6-B32/3	<b>23159</b>	230/400 AC	3	32
KMB6-B10/3	<b>23164</b>	230/400 AC	3	10
KMB6-B40/3	<b>23168</b>	230/400 AC	3	40
KMB6-B63/3	<b>23170</b>	230/400 AC	3	63
KMB6-B6/3	<b>23171</b>	230/400 AC	3	6
KMB6-B50/3	<b>23172</b>	230/400 AC	3	50



KMB6-B16/3



KMB6-B20/3



KMB6-B25/3



KMB6-B32/3

## KMB6

### Leitungsschutzschalter, 3P



KMB6-B10/3



KMB6-B40/3



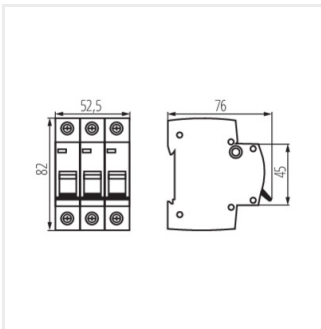
KMB6-B63/3



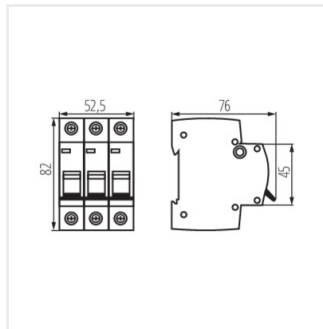
KMB6-B6/3



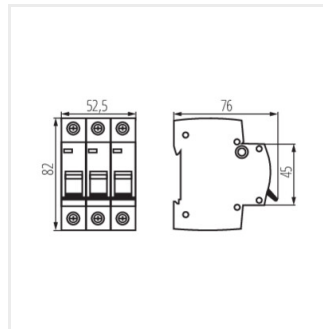
KMB6-B50/3



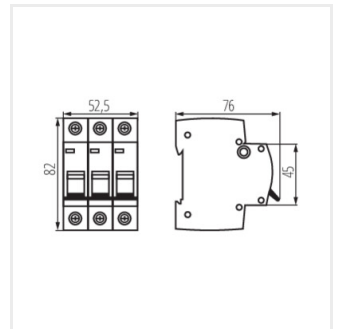
KMB6-B16/3



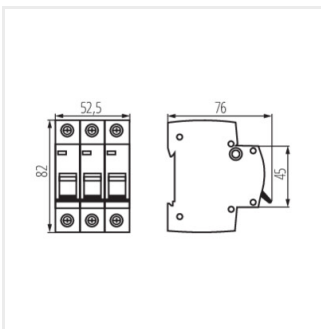
KMB6-B20/3



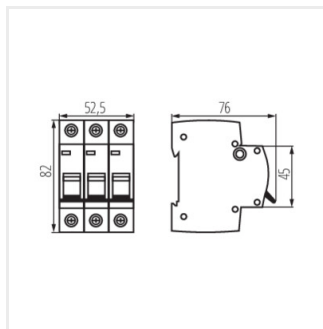
KMB6-B25/3



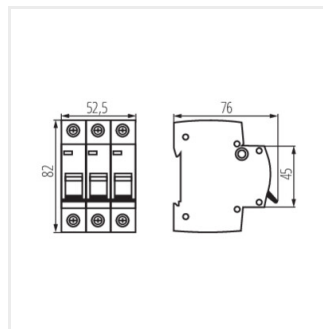
KMB6-B32/3



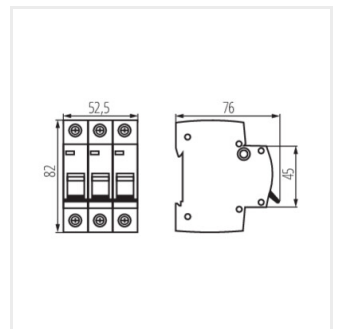
KMB6-B10/3



KMB6-B40/3



KMB6-B63/3

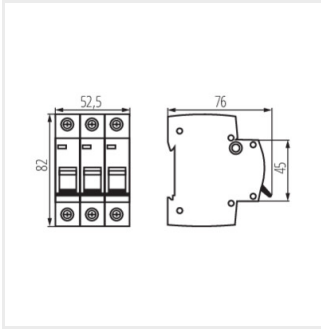


KMB6-B6/3

## KMB6

---

Leitungsschutzschalter, 3P



KMB6-B50/3