

SHADE

Aluminiumprofil/Diffusor



SHADE A-FR



SHADE A-FR	19170	Transparent
SHADE J/K-FR	26564	Mit Reifbeschlag
SHADE J/K-W	26565	weiß
SHADE J/K-FR 2m	26566	Mit Reifbeschlag
SHADE J/K-W 2m	26567	weiß
SHADE B/F-FR	26568	Mit Reifbeschlag
SHADE B/F-W	26569	Mit Reifbeschlag
SHADE B/F-FR 2M	26570	Mit Reifbeschlag
SHADE B/F-W 2M	26571	Mit Reifbeschlag
SHADE C/D/E/I-FR	26572	Mit Reifbeschlag
SHADE C/D/E/I-FR 2M	26573	Mit Reifbeschlag
SHADE C/D/E/I-W	26574	weiß
SHADE C/D/E/I-W 2M	26575	weiß
SHADE CK C/D/E/I-FR	26576	Transparent
SHADE CK C/D/E/I-FR2M	26577	Transparent
SHADE CK C/D/E/I-W	26578	weiß
SHADE CK C/D/E/I-W 2M	26579	weiß
SHADE CK G	26580	weiß
SHADE CK G 2M	26581	weiß
SHADE-U H-FR	26582	Transparent
SHADE-U H-FR 2m	26583	Transparent
SHADE-U H-W	26584	weiß
SHADE-U H-W 2m	26585	weiß
SHADE-O H-W	26586	weiß
SHADE-O H-W 2m	26587	weiß

SHADE

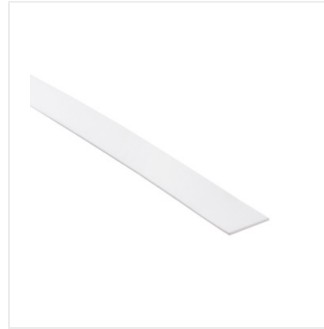
Aluminiumprofil/Diffusor



SHADE A-FR



SHADE J/K-FR



SHADE J/K-W



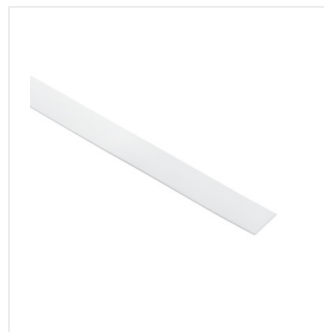
SHADE J/K-FR 2m



SHADE J/K-W 2m



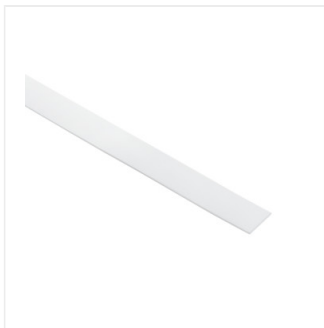
SHADE B/F-FR



SHADE B/F-W



SHADE B/F-FR 2M



SHADE B/F-W 2M



SHADE C/D/E/I-FR



SHADE C/D/E/I-FR 2M



SHADE C/D/E/I-W



SHADE C/D/E/I-W 2M



SHADE CK C/D/E/I-FR



SHADE CK C/D/E/I-FR2M



SHADE CK C/D/E/I-W

SHADE

Aluminiumprofil/Diffusor



SHADE CK C/D/E/I-W 2M



SHADE CK G



SHADE CK G 2M



SHADE-U H-FR



SHADE-U H-FR 2m



SHADE-U H-W



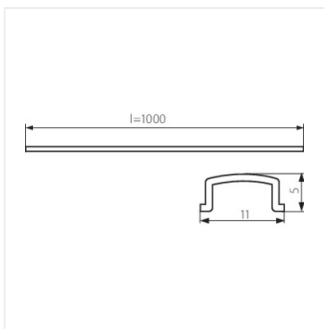
SHADE-U H-W 2m



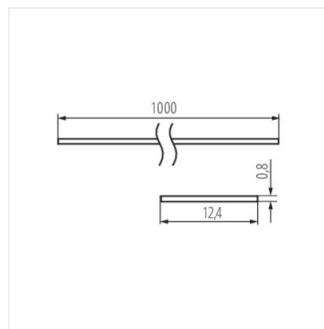
SHADE-O H-W



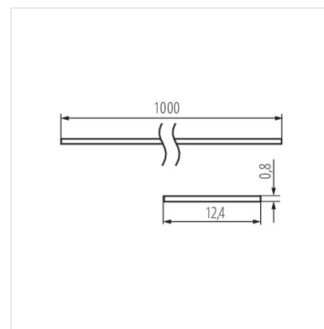
SHADE-O H-W 2m



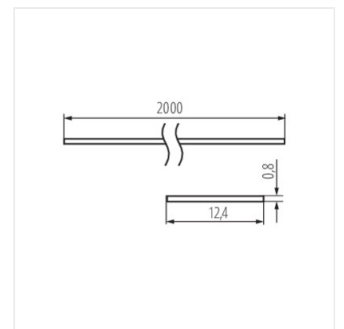
SHADE A-FR



SHADE J/K-FR



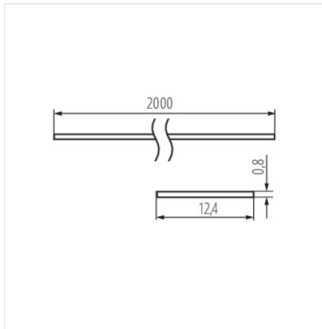
SHADE J/K-W



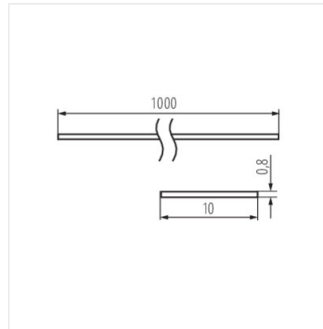
SHADE J/K-FR 2m

SHADE

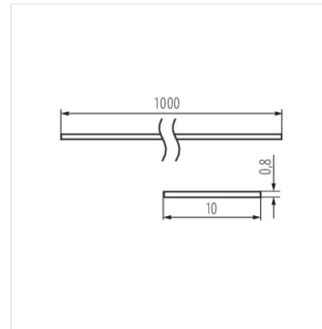
Aluminiumprofil/Diffusor



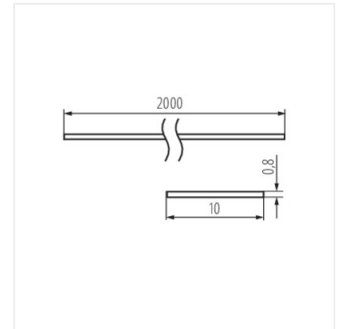
SHAE J/K-W 2m



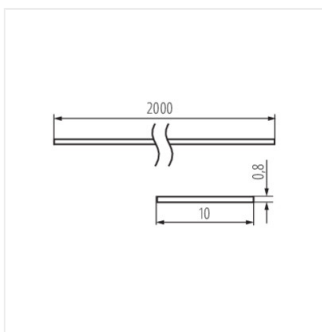
SHAE B/F-FR



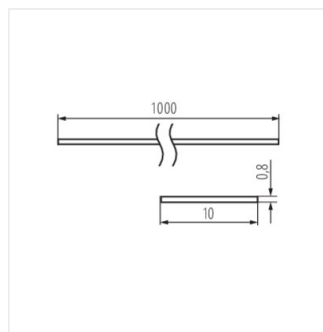
SHAE B/F-W



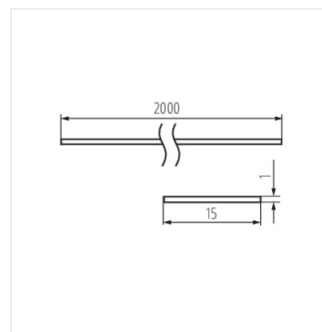
SHAE B/F-FR 2M



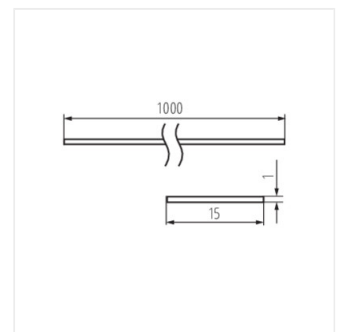
SHAE B/F-W 2M



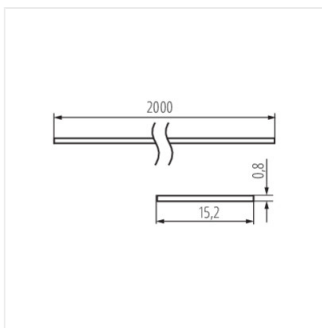
SHAE C/D/E/I-FR



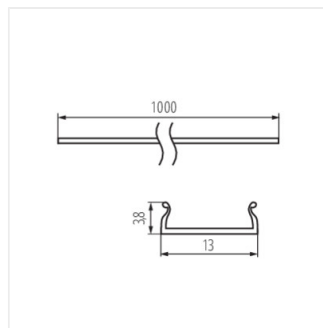
SHAE C/D/E/I-FR 2M



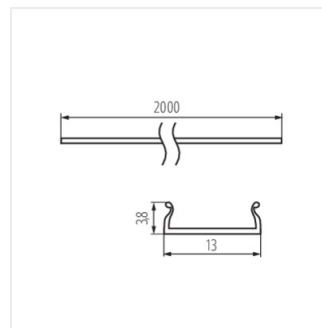
SHAE C/D/E/I-W



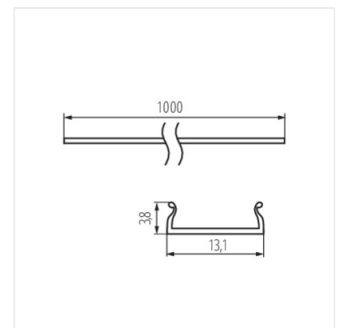
SHAE C/D/E/I-W 2M



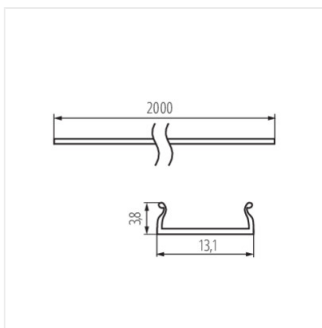
SHAE CK C/D/E/I-FR



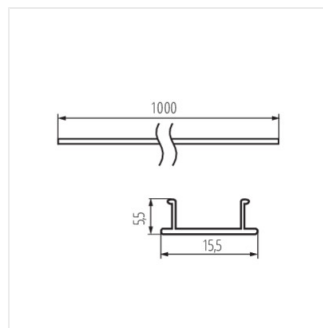
SHAE CK C/D/E/I-FR2M



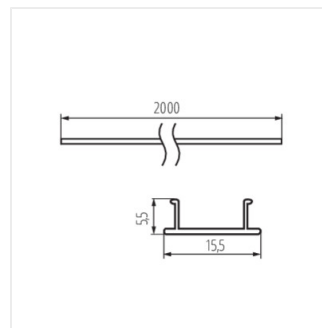
SHAE CK C/D/E/I-W



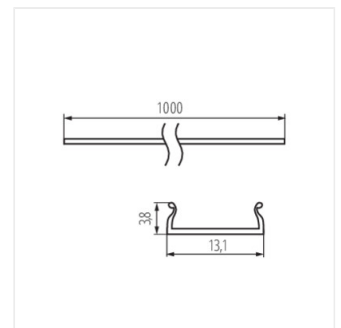
SHAE CK C/D/E/I-W 2M



SHAE CK G



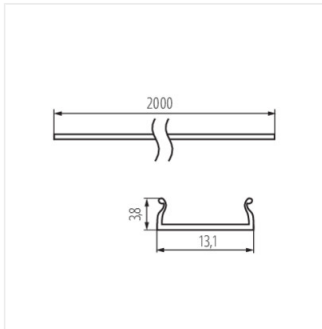
SHAE CK G 2M



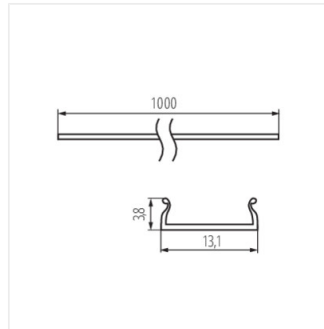
SHAE-U H-FR

SHADE

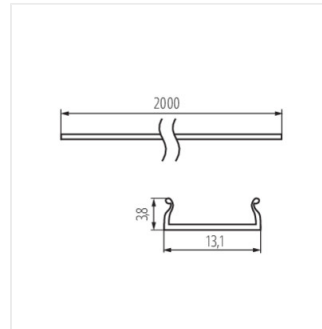
Aluminiumprofil/Diffusor



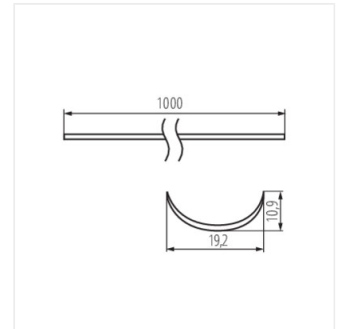
SHADE-U H-FR 2m



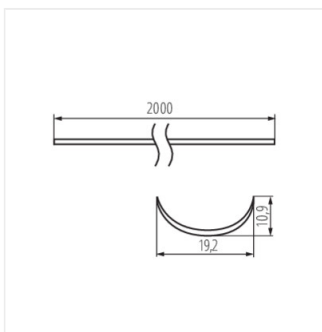
SHADE-U H-W



SHADE-U H-W 2m



SHADE-O H-W



SHADE-O H-W 2m