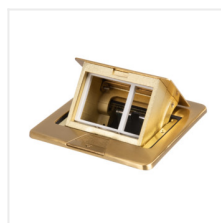
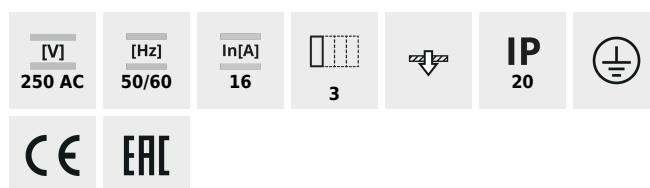


BIURO+

Floor installation box



BIURO+ 04-0031-100



BIURO+ 04-0031-100	28306	matt brass	3
BIURO+ 04-0032-100	28307	stainless steel	3
BIURO+ 04-0033-100	28308	matt brass	3
BIURO+ 04-0034-100	28309	aluminium	3

Metal floor box BIURO plus is designed for installation in screed floors. This is a box for 1.5 of full 45 modules or three 22.5 half modules. The box set includes a cover protecting it in the case of screed finishing. The box lid has a release trigger, the use of which activates the spring mechanism and opens the box. There are two different designs in this product group: rectangle, rectangle with milled edge. We can choose two colour versions.

BIURO+

Floor installation box



BIURO+ 04-0031-100



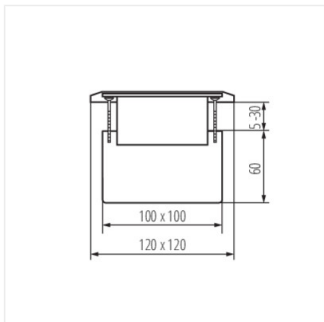
BIURO+ 04-0032-100



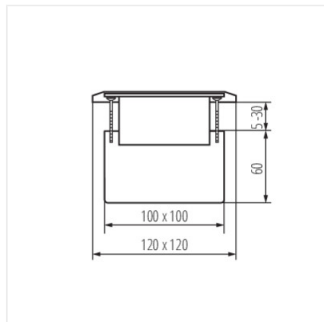
BIURO+ 04-0033-100



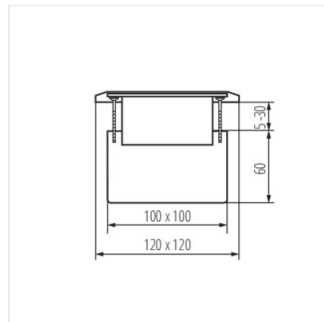
BIURO+ 04-0034-100



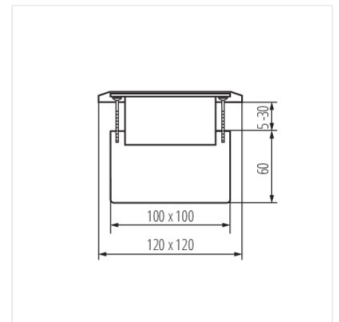
BIURO+ 04-0031-100



BIURO+ 04-0032-100



BIURO+ 04-0033-100



BIURO+ 04-0034-100