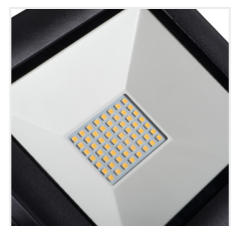
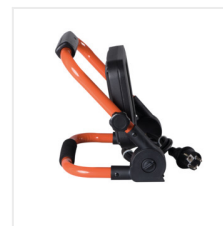


## STATO LED

### LED Außenstrahler



[V] 220-240 AC	[Hz] 50	$\Phi_{use}$ 120°	[°] 120	$\geq 15000$	[h] 25000	ellipse $\leq 6x$ Mackdam
Ra 80	SMD	IK 07		IP 65	[°C] -20÷35	
	[°] 330	IK 07		[m] 2	[mm] 1	1m



	PON [W]	[lm]	[lm] $\Phi_{use}$	Tc [K]	Color	Material
STATO N LED 30W-B	29222	30	3150	2770	4000	schwarz F
STATO N LED 50W-B	29223	50	5250	4430	4000	schwarz F

- Gehäusematerial: Aluminiumlegierung
- Material der Schutzscheibe: Hartglas
- Material des Auslegers: Stahl



## STATO LED

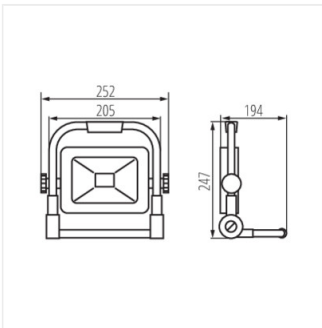
### LED Außenstrahler



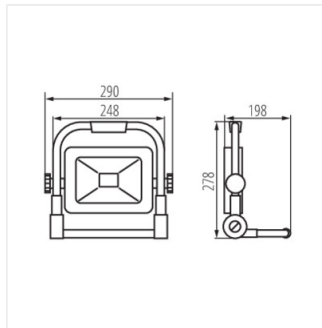
STATO N LED 30W-B



STATO N LED 50W-B



STATO N LED 30W-B



STATO N LED 50W-B