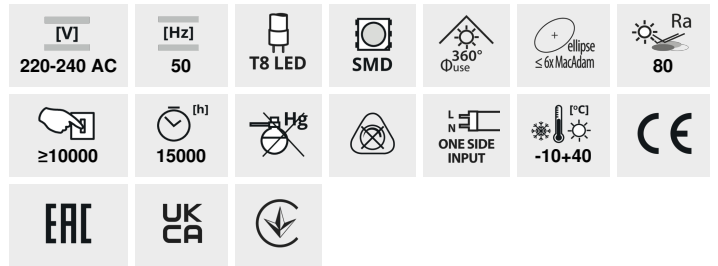


T8 N LED

LED-LEUCHTMITTEL



T8 N LED 18W-CW



	PON [W]	[lm] Φuse	Tc [K]	Beam angle [°]	G13	E	ENEC
T8 N LED 18W-CW	31190	18	2000	6500	200	G13	E
T8 N LED 18W-NW	31191	18	2000	4000	200	G13	E
T8 N LED 22W-NW	31192	22	2420	4000	200	G13	E
T8 N LED 9W-CW	31193	9	1000	6500	200	G13	E
T8 N LED 9W-NW	31194	9	1000	4000	200	G13	E

- Abdeckungsmaterial: Glas



T8 N LED 18W-CW



T8 N LED 18W-NW



T8 N LED 22W-NW



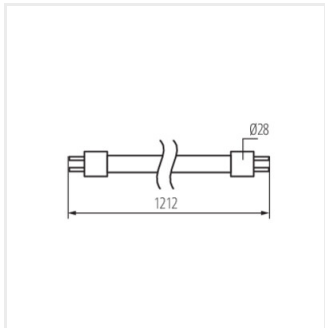
T8 N LED 9W-CW

T8 N LED

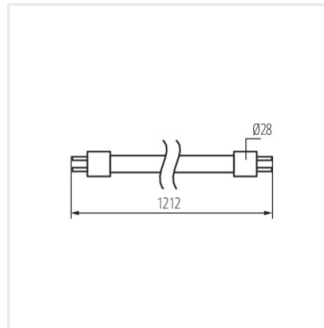
LED-LEUCHTMITTEL



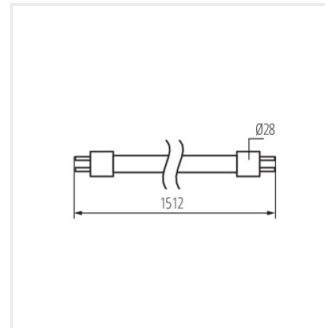
T8 N LED 9W-NW



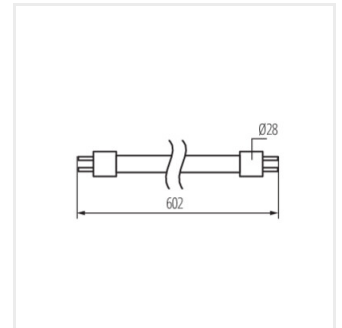
T8 N LED 18W-CW



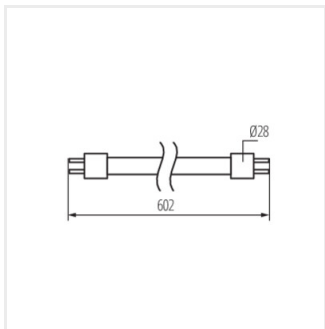
T8 N LED 18W-NW



T8 N LED 22W-NW



T8 N LED 9W-CW



T8 N LED 9W-NW