

LED- Deckenleuchte



[V] 220-240 AC	[Hz] 50	≥15000	25000 [h]	ellipse ≤ 6x Mackdam	Ra 80	Hg
SMD			IP 65		°C -15÷35	
	0,5m	CE	EAC	UK CA		



TURA LED 15W-NW-O-B



TURA LED 15W-NW-O-B	31490	15	1125	4000	schwarz
TURA LED 24W-NW-O-B	31491	24	1800	4000	schwarz

- Gehäusematerial: Kunststoff
- Abdeckungsmaterial: Kunststoff

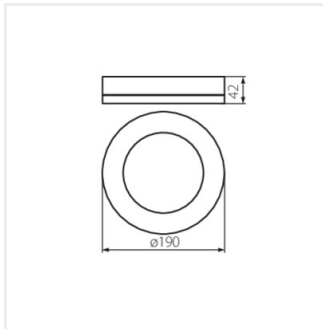


TURA LED 15W-NW-O-B

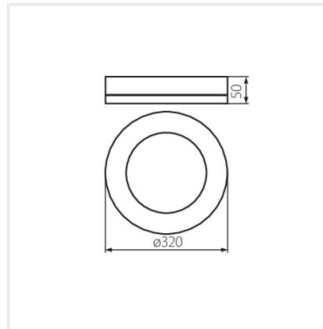


TURA LED 24W-NW-O-B

LED- Deckenleuchte



TURA LED 15W-NW-O-B



TURA LED 24W-NW-O-B