

AL-SH-PT

LED-Langfeldleuchte



[V] 220-240 AC	[Hz] 50	≥ 30000	[h] 50000	ellipse $\leq 3x$ MacAdam	Ra 80	SMD
		IP 20		[°C] 5÷25		
[mm ²] 1,5÷2,5		0,5m				



AL-SH-NW-MAT-W-PT

	[W]	Tc [K]		[°]		[lm]	[mm]
AL-SH-NW-MAT-W-PT	33937	19	4000	matt	X85/Y95	weiß	2550 590
AL-SH-WW-MAT-W-PT	33939	19	3000	matt	X85/Y95	weiß	2250 590
AL-SH-NW-MPR-W-PT	33941	19	4000	mikroprismatisch	X75/Y90	weiß	2350 590
AL-SH-WW-MPR-W-PT	33943	19	3000	mikroprismatisch	X75/Y90	weiß	2050 590
AL-SH-NW-MAT-B-PT	33949	19	4000	matt	X85/Y95	schwarz	2550 590
AL-SH-WW-MAT-B-PT	33951	19	3000	matt	X85/Y95	schwarz	2250 590
AL-SH-NW-MPR-B-PT	33953	19	4000	mikroprismatisch	X75/Y90	schwarz	2350 590
AL-SH-WW-MPR-B-PT	33955	19	3000	mikroprismatisch	X75/Y90	schwarz	2050 590
AL-SH-NW-MAT-S-PT	33961	19	4000	matt	X85/Y95	silber	2550 590
AL-SH-WW-MAT-S-PT	33963	19	3000	matt	X85/Y95	silber	2250 590
AL-SH-NW-MPR-S-PT	33965	19	4000	mikroprismatisch	X75/Y90	silber	2350 590
AL-SH-WW-MPR-S-PT	33967	19	3000	mikroprismatisch	X75/Y90	silber	2050 590

- 5 Jahre Garantie gemäß den Bedingungen der Garantieerklärung, die auf der Website verfügbar ist
- Gehäusematerial: Stahl
- Abdeckungsmaterial: Kunststoff

AL-SH-PT

LED-Longfieldleuchte



AL-SH-NW-MAT-W-PT



AL-SH-WW-MAT-W-PT



AL-SH-NW-MPR-W-PT



AL-SH-WW-MPR-W-PT



AL-SH-NW-MAT-B-PT



AL-SH-WW-MAT-B-PT



AL-SH-NW-MPR-B-PT



AL-SH-WW-MPR-B-PT



AL-SH-NW-MAT-S-PT



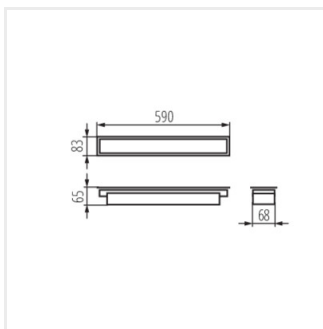
AL-SH-WW-MAT-S-PT



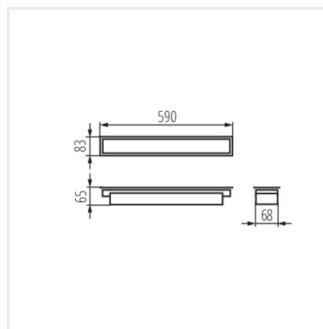
AL-SH-NW-MPR-S-PT



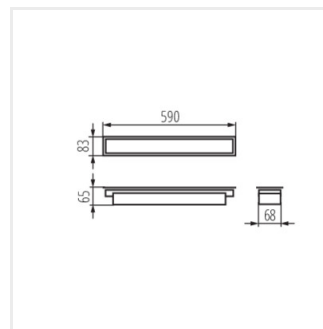
AL-SH-WW-MPR-S-PT



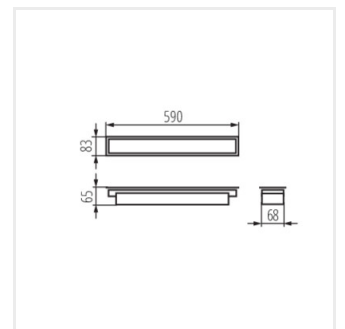
AL-SH-NW-MAT-W-PT



AL-SH-WW-MAT-W-PT



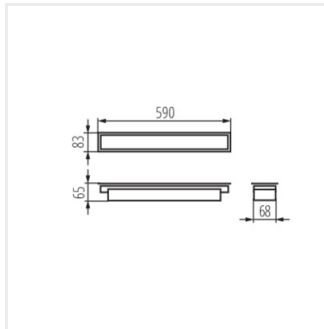
AL-SH-NW-MPR-W-PT



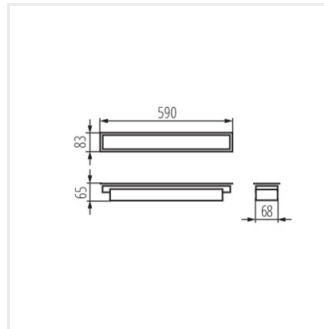
AL-SH-WW-MPR-W-PT

AL-SH-PT

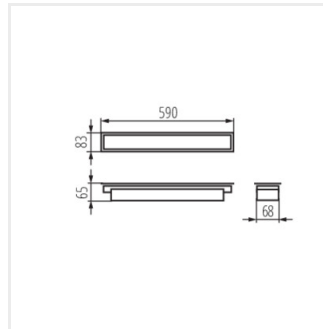
LED-Longfieldleuchte



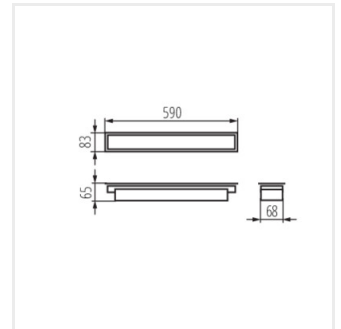
AL-SH-NW-MAT-B-PT



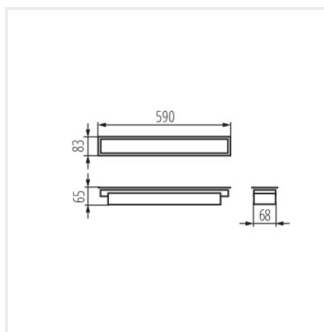
AL-SH-WW-MAT-B-PT



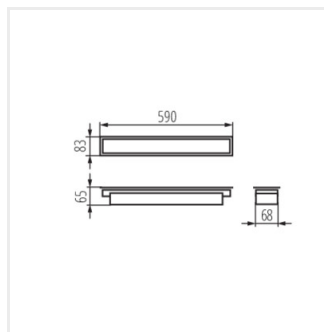
AL-SH-NW-MPR-B-PT



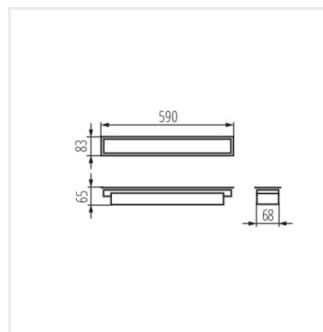
AL-SH-WW-MPR-B-PT



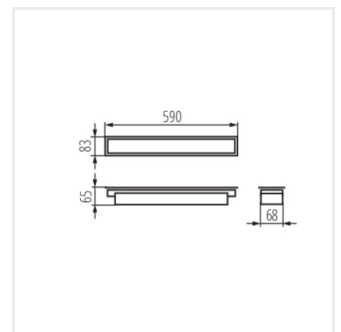
AL-SH-NW-MAT-S-PT



AL-SH-WW-MAT-S-PT



AL-SH-NW-MPR-S-PT



AL-SH-WW-MPR-S-PT