

AL-ML-PT

LED-Langfeldleuchte



[V] 220-240 AC	[Hz] 50	≥ 30000	[lm] 50000	ellipse $\leq 3x$ MacAdam	Ra 80	SMD
		IP 20		[°C] 5÷25		
[mm ²] 1,5÷2,5		0,5m				



AL-ML-NW-MAT-W-PT

	[W]	Tc [K]		[°]		[lm]	[mm]
AL-ML-NW-MAT-W-PT 34008	25	4000	matt	X85/Y95	weiß	3250	1150
AL-ML-WW-MAT-W-PT 34010	25	3000	matt	X85/Y95	weiß	2980	1150
AL-ML-NW-MPR-W-PT 34012	25	4000	mikroprismatisch	X75/Y90	weiß	3000	1150
AL-ML-WW-MPR-W-PT 34014	25	3000	mikroprismatisch	X75/Y90	weiß	2750	1150
AL-ML-NW-MAT-B-PT 34020	25	4000	matt	X85/Y95	schwarz	3250	1150
AL-ML-WW-MAT-B-PT 34022	25	3000	matt	X85/Y95	schwarz	2980	1150
AL-ML-NW-MPR-B-PT 34024	25	4000	mikroprismatisch	X75/Y90	schwarz	3000	1150
AL-ML-WW-MPR-B-PT 34026	25	3000	mikroprismatisch	X75/Y90	schwarz	2750	1150
AL-ML-NW-MAT-S-PT 34032	25	4000	matt	X85/Y95	silber	3250	1150
AL-ML-WW-MAT-S-PT 34034	25	3000	matt	X85/Y95	silber	2980	1150
AL-ML-NW-MPR-S-PT 34036	25	4000	mikroprismatisch	X75/Y90	silber	3000	1150
AL-ML-WW-MPR-S-PT 34038	25	3000	mikroprismatisch	X75/Y90	silber	2750	1150

- 5 Jahre Garantie gemäß den Bedingungen der Garantieerklärung, die auf der Website verfügbar ist
- Gehäusematerial: Stahl
- Abdeckungsmaterial: Kunststoff

AL-ML-PT

LED-Longfieldleuchte



AL-ML-NW-MAT-W-PT



AL-ML-WW-MAT-W-PT



AL-ML-NW-MPR-W-PT



AL-ML-WW-MPR-W-PT



AL-ML-NW-MAT-B-PT



AL-ML-WW-MAT-B-PT



AL-ML-NW-MPR-B-PT



AL-ML-WW-MPR-B-PT



AL-ML-NW-MAT-S-PT



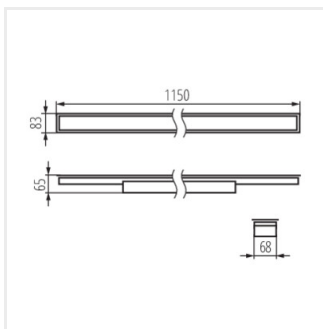
AL-ML-WW-MAT-S-PT



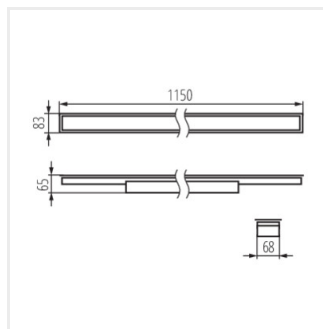
AL-ML-NW-MPR-S-PT



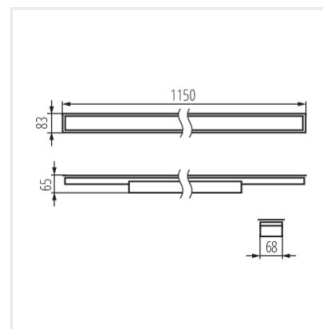
AL-ML-WW-MPR-S-PT



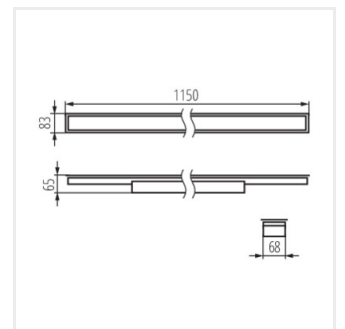
AL-ML-NW-MAT-W-PT



AL-ML-WW-MAT-W-PT



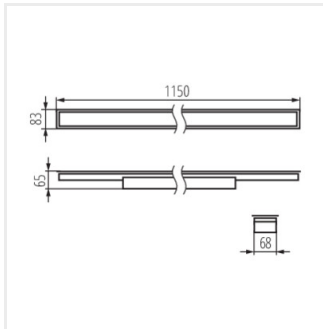
AL-ML-NW-MPR-W-PT



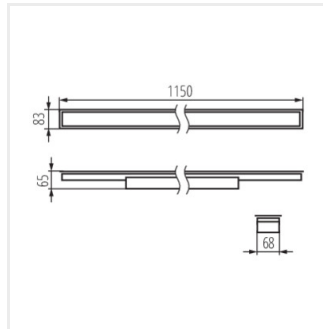
AL-ML-WW-MPR-W-PT

AL-ML-PT

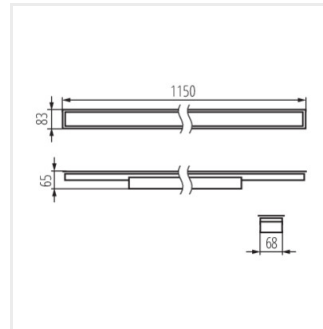
LED-Langfeldleuchte



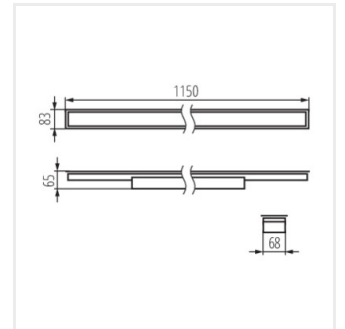
AL-ML-NW-MAT-B-PT



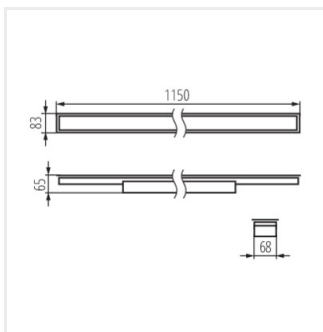
AL-ML-WW-MAT-B-PT



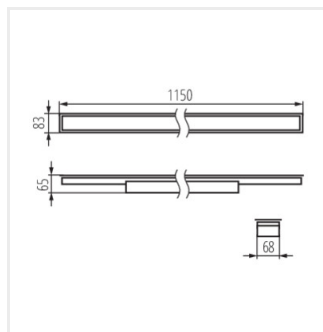
AL-ML-NW-MPR-B-PT



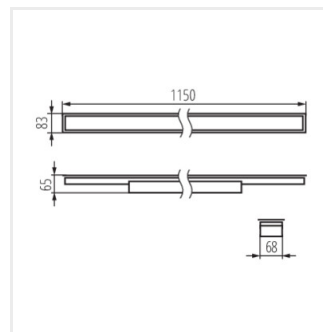
AL-ML-WW-MPR-B-PT



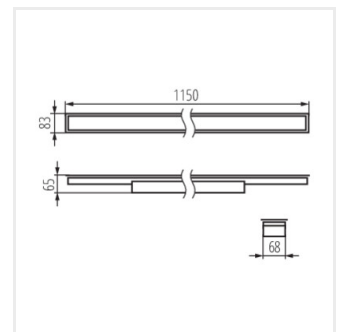
AL-ML-NW-MAT-S-PT



AL-ML-WW-MAT-S-PT



AL-ML-NW-MPR-S-PT



AL-ML-WW-MPR-S-PT

