

## ALD-SH-PT

### LED-Langfeldleuchte



[V] 220-240 AC	[Hz] 50	$\geq 30000$	[h] 50000	ellipse $\leq 3x$ MacAdam	Ra 80	SMD
DALI		IP 20		[°C] 5÷25		
[mm] 0,5÷2,5		0,5m	CE	EAC	UK CA	



### ALD-SH-NW-MAT-W-PT

	[W]	Tc [K]	TYPE	[°]		[m]	[mm]
ALD-SH-NW-MAT-W-PT	<b>34189</b>	19	4000	matt	X85/Y95	weiß	2550 590
ALD-SH-WW-MAT-W-PT	<b>34191</b>	19	3000	matt	X85/Y95	weiß	2250 590
ALD-SH-NW-MPR-W-PT	<b>34193</b>	19	4000	mikroprismatisch	X75/Y90	weiß	2350 590
ALD-SH-WW-MPR-W-PT	<b>34195</b>	19	3000	mikroprismatisch	X75/Y90	weiß	2050 590
ALD-SH-NW-MAT-B-PT	<b>34201</b>	19	4000	matt	X85/Y95	weiß	2550 590
ALD-SH-WW-MAT-B-PT	<b>34203</b>	19	3000	matt	X85/Y95	schwarz	2250 590
ALD-SH-NW-MPR-B-PT	<b>34205</b>	19	4000	mikroprismatisch	X75/Y90	schwarz	2350 590
ALD-SH-WW-MPR-B-PT	<b>34207</b>	19	3000	mikroprismatisch	X75/Y90	schwarz	2050 590
ALD-SH-NW-MAT-S-PT	<b>34213</b>	19	4000	matt	X85/Y95	silber	2550 590
ALD-SH-WW-MAT-S-PT	<b>34215</b>	19	3000	matt	X85/Y95	silber	2250 590
ALD-SH-NW-MPR-S-PT	<b>34217</b>	19	4000	mikroprismatisch	X75/Y90	silber	2350 590
ALD-SH-WW-MPR-S-PT	<b>34219</b>	19	3000	mikroprismatisch	X75/Y90	silber	2050 590

- 5 Jahre Garantie gemäß den Bedingungen der Garantieerklärung, die auf der Website verfügbar ist
- Gehäusematerial: Stahl
- Abdeckungsmaterial: Kunststoff

## ALD-SH-PT

### LED-Langfeldleuchte



ALD-SH-NW-MAT-W-PT



ALD-SH-WW-MAT-W-PT



ALD-SH-NW-MPR-W-PT



ALD-SH-WW-MPR-W-PT



ALD-SH-NW-MAT-B-PT



ALD-SH-WW-MAT-B-PT



ALD-SH-NW-MPR-B-PT



ALD-SH-WW-MPR-B-PT



ALD-SH-NW-MAT-S-PT



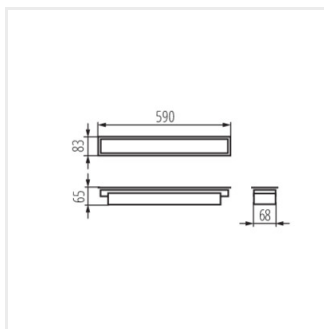
ALD-SH-WW-MAT-S-PT



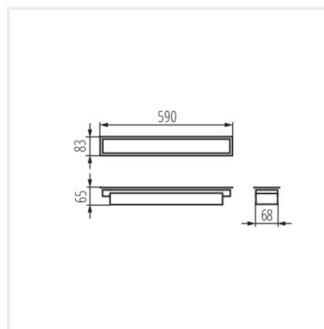
ALD-SH-NW-MPR-S-PT



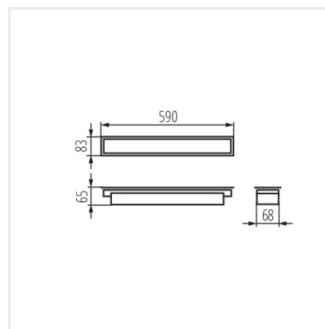
ALD-SH-WW-MPR-S-PT



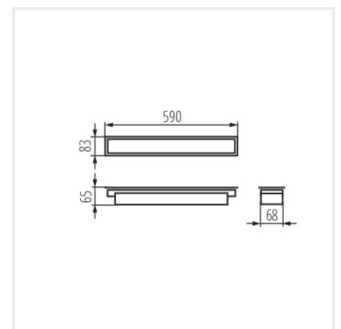
ALD-SH-NW-MAT-W-PT



ALD-SH-WW-MAT-W-PT



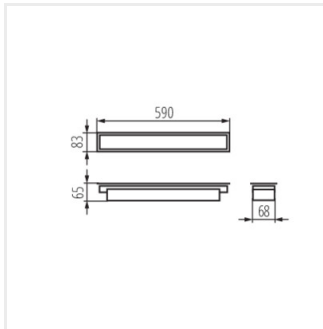
ALD-SH-NW-MPR-W-PT



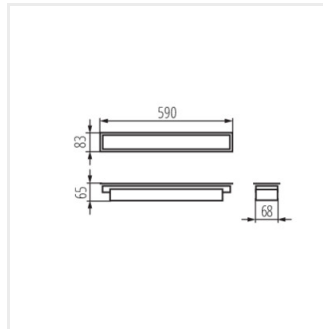
ALD-SH-WW-MPR-W-PT

## ALD-SH-PT

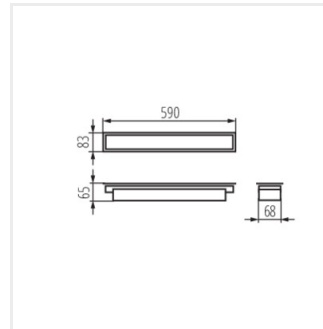
### LED-Longfieldleuchte



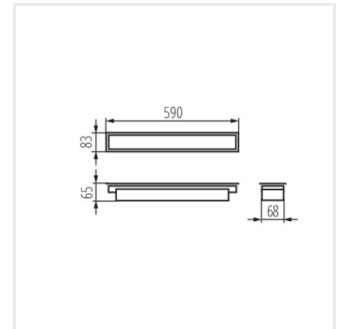
ALD-SH-NW-MAT-B-PT



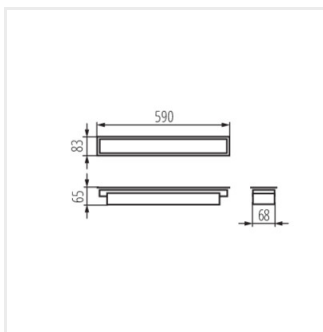
ALD-SH-WW-MAT-B-PT



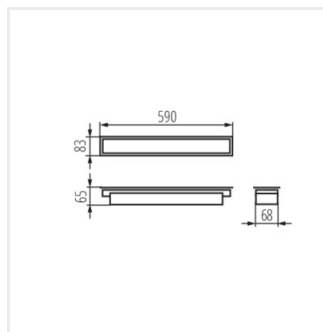
ALD-SH-NW-MPR-B-PT



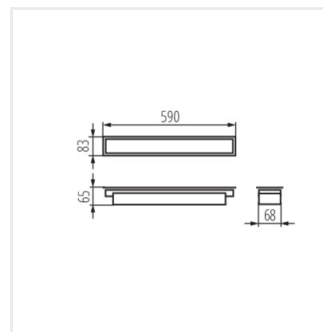
ALD-SH-WW-MPR-B-PT



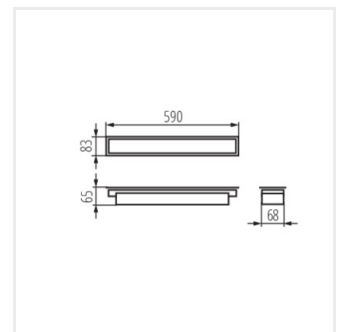
ALD-SH-NW-MAT-S-PT



ALD-SH-WW-MAT-S-PT



ALD-SH-NW-MPR-S-PT



ALD-SH-WW-MPR-S-PT