

## KMB6-P

Ogranicznik mocy umownej



KMB6-P-10/1

[Hz] 50	Icn [A] 6000	 1	 1P	 1	IP 20	 1=25
 -5÷40	 TH 35	Ui [V] 500	CE	EAC	UK CA	

	[V]	Anzahl der Felder	In [A]	
KMB6-P-10/1	45751	230/400 AC	1	10
KMB6-P-13/1	45752	230/400 AC	1	13
KMB6-P-16/1	45753	230/400 AC	1	16
KMB6-P-20/1	45754	230/400 AC	1	20
KMB6-P-25/1	45755	230/400 AC	1	25
KMB6-P-32/1	45756	230/400 AC	1	32
KMB6-P-40/1	45757	230/400 AC	1	40
KMB6-P-50/1	45758	230/400 AC	1	50
KMB6-P-63/1	45759	230/400 AC	1	63

## KMB6-P

---

Ogranicznik mocy umownej



KMB6-P-10/1



KMB6-P-13/1



KMB6-P-16/1



KMB6-P-20/1



KMB6-P-25/1



KMB6-P-32/1



KMB6-P-40/1



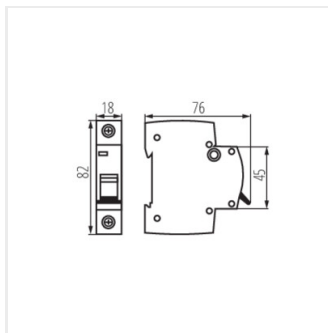
KMB6-P-50/1



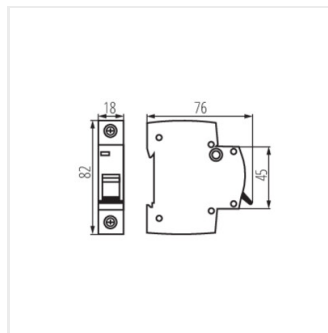
KMB6-P-63/1

## KMB6-P

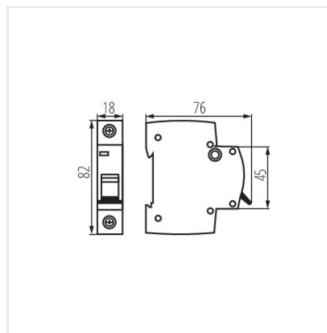
### Ogranicznik mocy umownej



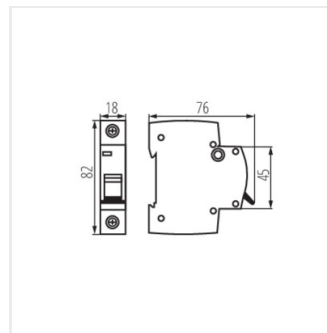
KMB6-P-10/1



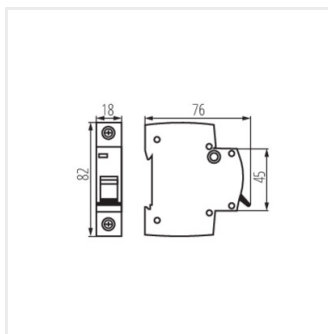
KMB6-P-13/1



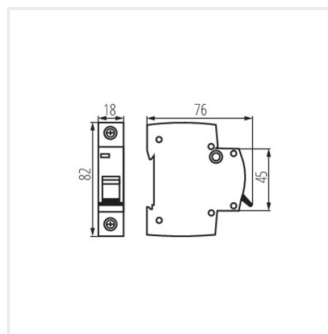
KMB6-P-16/1



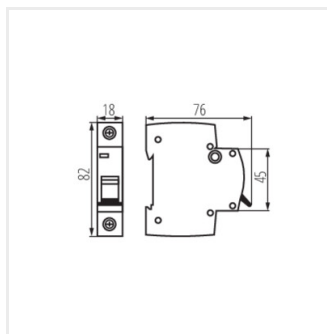
KMB6-P-20/1



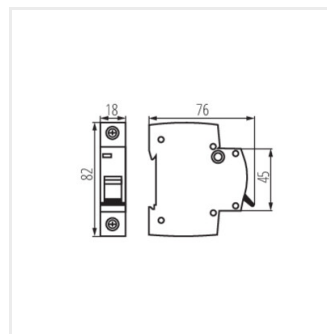
KMB6-P-25/1



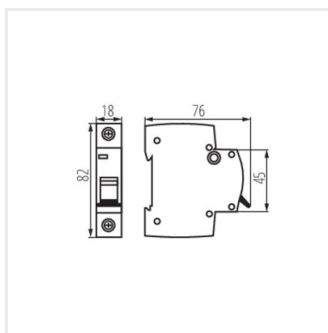
KMB6-P-32/1



KMB6-P-40/1



KMB6-P-50/1



KMB6-P-63/1