

KMB6-P

Ogranicznik mocy umownej



KMB6-P-10/3

[Hz] 50	Icn [A] 6000	 3	 3P	 3	IP 20	 1-25
 -5÷40	 TH 35	Ui [V] 500	CE	EAC	UK CA	

	[V]	Anzahl der Felder	In [A]	
KMB6-P-10/3	45760	230/400 AC	3	10
KMB6-P-13/3	45761	230/400 AC	3	13
KMB6-P-16/3	45762	230/400 AC	3	16
KMB6-P-20/3	45763	230/400 AC	3	20
KMB6-P-25/3	45764	230/400 AC	3	25
KMB6-P-32/3	45765	230/400 AC	3	32
KMB6-P-40/3	45766	230/400 AC	3	40
KMB6-P-50/3	45767	230/400 AC	3	50
KMB6-P-63/3	45768	230/400 AC	3	63

KMB6-P

Ogranicznik mocy umownej



KMB6-P-10/3



KMB6-P-13/3



KMB6-P-16/3



KMB6-P-20/3



KMB6-P-25/3



KMB6-P-32/3



KMB6-P-40/3



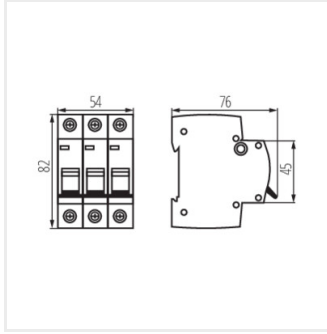
KMB6-P-50/3



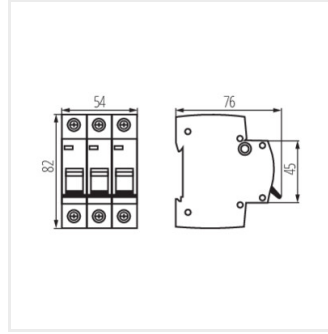
KMB6-P-63/3

KMB6-P

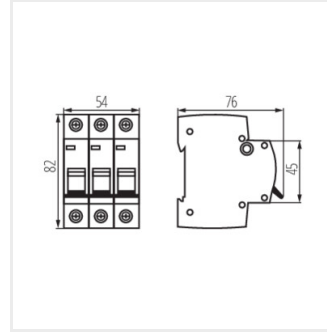
Ogranicznik mocy umownej



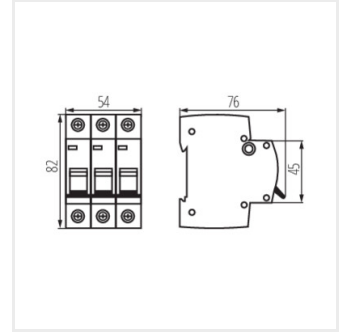
KMB6-P-10/3



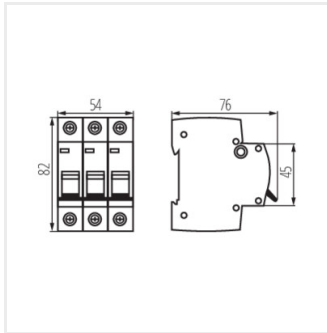
KMB6-P-13/3



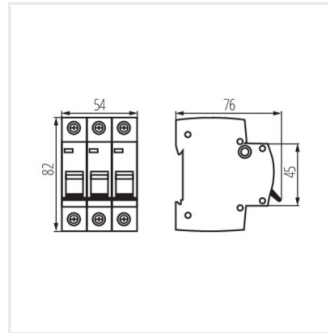
KMB6-P-16/3



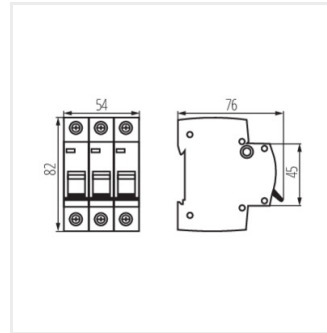
KMB6-P-20/3



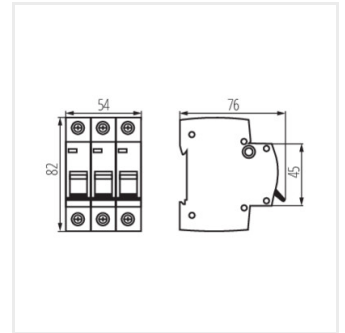
KMB6-P-25/3



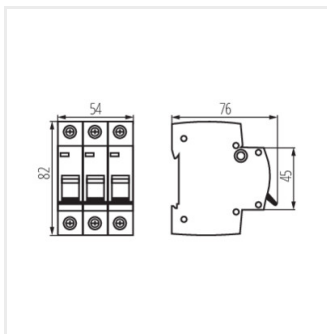
KMB6-P-32/3



KMB6-P-40/3



KMB6-P-50/3



KMB6-P-63/3