

01001 STER TS-MF1

Control timer / programmer



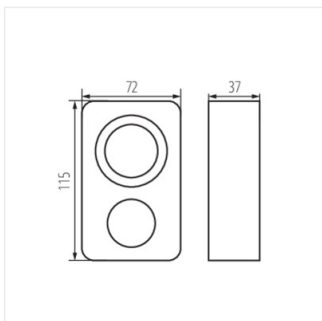
$[V]$ 220-240 AC	$[Hz]$ 50/60	$In[A]$ 16(2)	$[W]$ 3500	IP 20		
CE		EAC				



STER TS-MF1	01001	3500	1
-------------	--------------	------	---

Kanlux STER TS-MF is an adapter of an extension socket with a 24-hour mechanical programmer. It makes it possible to programme turning on and turning off operations for connected devices at pre-set time.

- The timer works in 24h mode
- Minimum on/off time 15min
- Timer has constant load switching capability



STER TS-MF1