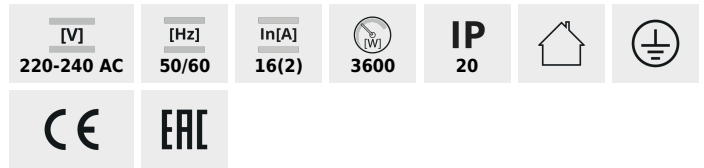


## 01016 CYBER TM-6

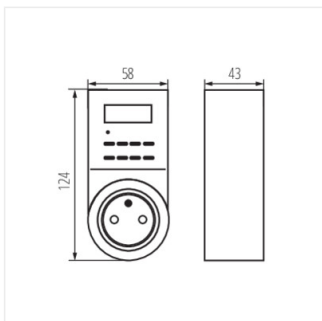
Control timer / programmer



CYBER TM-6 **01016** 3600 10

Kanlux CYBER is an adapter of an extension socket with a 24-hour digital programmer. It makes it possible to programme turning on and turning off operations for connected devices at pre-set time.

- Equipped with a memory keeping system
- Up to 10 programmable on/off operations
- The timer works in 24h and weekly mode



CYBER TM-6