

### Halide light source



J-1000W 189MM

J-1000W 189MM	<b>10418</b>	1000	1063	16000	2700	R7s	D	
J-1500W 254MM	<b>10419</b>	1500	2060	31000	2700	R7s	C	

The designed halogen bulbs are intended for lamps and halopaks with R7s thread. Available power from 1000W to 1500W. They are meant for horizontal work.

- designed for horizontal operation, allowable deflection of working position +/-4°
- Lampshade material: glass

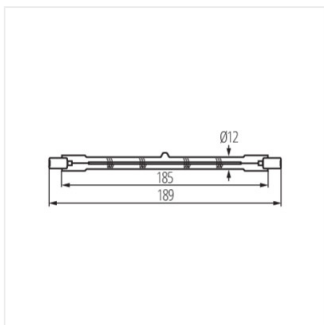
### Halide light source



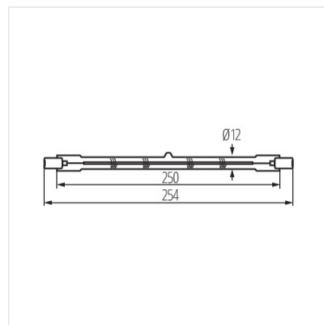
J-1000W 189MM



J-1500W 254MM



J-1000W 189MM



J-1500W 254MM