

Linear fluorescent lamp



T5-8W 4000K/65



	P _{on} [W]	[lm] Φ _{use}	T _c [K]	Base	Ra	l _h [h]	Ei	
T5-8W 4000K/65	12715	8	688	4000	G5	65	10000	G
T5-13W 4000K/65	12716	13	1118	4000	G5	65	10000	G
T5-14W 4000K/82	12717	14	1204	4000	G5	82	20000	G

Kanlux T5 are oneband and triband linear fluorescent lamps. Low consumption of energy and long working time are indisputable advantages of these lamps.

- T5-8W, T5-13W: fluorescent lamps, other models are tri-band fluorescent
- Material: glass

T5

Linear fluorescent lamp



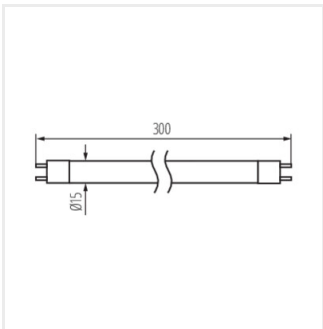
T5-8W 4000K/65



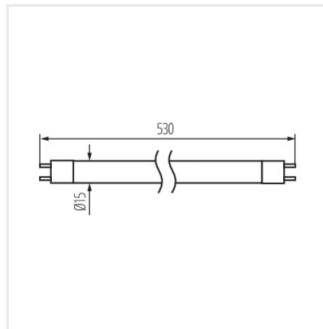
T5-13W 4000K/65



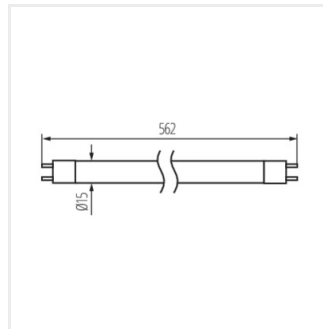
T5-14W 4000K/82



T5-8W 4000K/65



T5-13W 4000K/65



T5-14W 4000K/82