



MHE-250W/4200K



MHE-250W/4200K	12755	250	23000	4200	E40	A
MHE-400W/4200K	12756	400	35000	4200	E40	A+

Kanlux MHE metal-halide lamps work with stabilizers for high-pressure sodium lamps/metal-halide lamps and igniters for metal-halide lamps.

- Material: glass



MHE

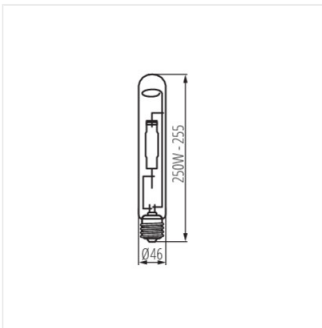
Metal-halide lamp



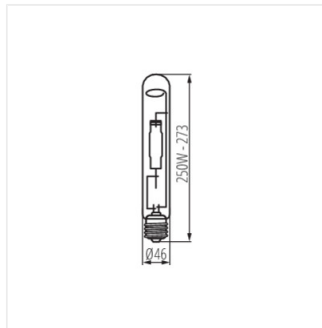
MHE-250W/4200K



MHE-400W/4200K



MHE-250W



MHE-400W