

SET

SET electronic transformer

[V] 220-240 AC	[Hz] 50/60	PRI [V] 220-240	SEC [V] 11,5 AC	F	IP 20	
		[mm²] 0,75-1,5	[°C] 5÷25	CE	EAC	



SET60-K

[V]	
------------	--

SET60-K	01425	220-240 AC	20-60
SET105-K	01426	220-240 AC	35-105

- product designed for feeding low voltage halogen light bulbs (12V)
- Reactive power factor $\cos\phi$ 0.99 for SET60-K i SET105-K, for SET80LT, SET150-N and SET210-N - 0.97
- Maximum permissible housing temperature 80°C for SET60-K, for other models - 85°C
- Thermal protection shutting down SET80LT after the temperature exceeds 100°C, for SET150-N and SET210-N - after exceeding 110°C, for SET60-K and SET105-K - after exceeding 120°C
- Built-in circuit and overload protection



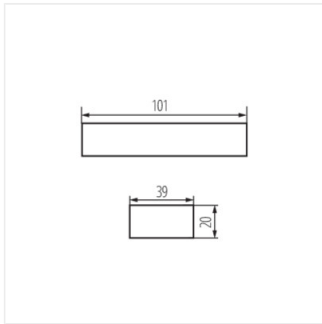
SET60-K



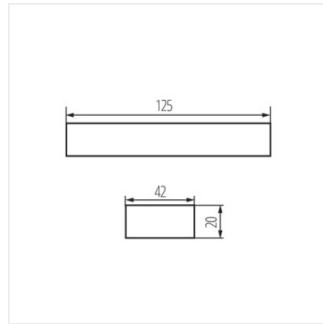
SET105-K

SET

SET electronic transformer



SET60-K



SET105-K