



[Hz] 50/60	CC 	PRI [V] 220-240	SEC [V] 0,5-10 DC	SEC [mA] 350		IP 20
			[mm ²] 0.75	[m] 0.1	 5+25	
EAC						

ADI 350 1x3W

	[V]	
ADI 350 1x3W	01440	220-240 AC 1-3
ADI 350 1x3W P	23870	220-240 AC 1-3

Kanlux ADI electronic power supply unit - with maximum permissible temperature of casing 75°C and current stabilization 350mA DC - has an embedded protection against short circuits and against overload as well as a thermal protection turning off the power supply unit when the temperature of 110°C is exceeded.

- ADI 350 1-3W current stabilization 350mA DC
- Maximum permissible housing temperature 75°C
- Thermal protection shutting down the power supply after the temperature exceeds 110°C
- Built-in circuit and overload protection
- Material: plastic



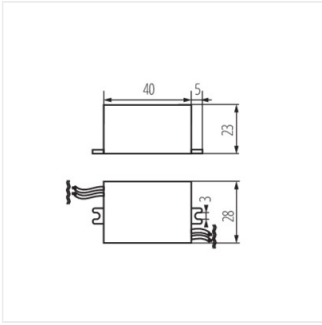
ADI 350 1x3W



ADI 350 1x3W P

ADI

CC power supply unit



ADI 350 1x3W