

18121 FOGLER LED 14W-NW

Ceiling-mounted LED light fitting



[V] 220-240 AC	[Hz] 50	[°] 110	≥15000	[h] 20000	ellipse ≤ 6x MacAdam	Ra 80
SMD			IP 20		[°C] 5÷25	
	[mm] 0.5-2.5	[m] max 6	[°] 360	[s] - [min] 10-5	[lx] 5-2000	[m] 0,5m
lm W 57						



FOGLER LED 14W-NW	18121	14	800	4000	white	PIR
-------------------	--------------	----	-----	------	-------	-----

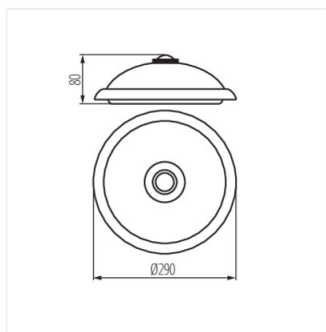
Kanlux FOGLER LED ceiling light fixture with motion detector is a great solution for lighting staircases, technical rooms in multi-family buildings, storage rooms, basements, garages and driveways in detached houses.

- Enclosure material: steel
- Lampshade material: PC



18121 FOGLER LED 14W-NW

Ceiling-mounted LED light fitting



FOGLER LED 14W-NW