

G9 STAR

Halide light source



[V] 220-240 AC	[Hz] 50	360° Φ _{use}	l _h 2000	Ra 100	≥8000	Hg
CE	EAC	UK CA	↓			



G9-20W; 33W; 48W; 60W STAR



	P _{ON} [W]	[lm] Φ _{use}	T _c [K]			
G9-20W STAR	18420	20	235	2700	G9	G
G9-33W STAR	18421	33	460	2700	G9	G
G9-48W STAR	18422	48	740	2700	G9	G
G9-60W STAR	18423	60	975	2700	G9	G

Kanlux G9 STAR is a halogen bulb with G9 light bulb base.

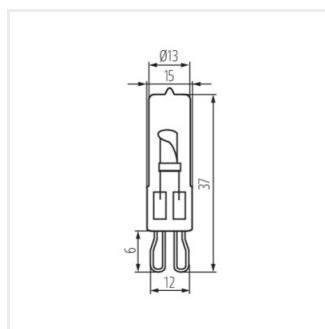
- Material: non-corrosive metals alloy
- Lampshade material: glass

G9 STAR

Halide light source



G9-20W; 33W; 48W; 60W
STAR



G9-20W; 33W; 48W; 60W
STAR