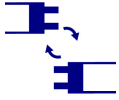


## MAH PLUS

Dustproof lighting fitting



[V] 220-240 AC	[Hz] 50			<b>IP</b> 65		°C 5÷25
		[mm <sup>2</sup> ] 1÷2.5		0,5m		



### MAH PLUS-136-ABS/PC



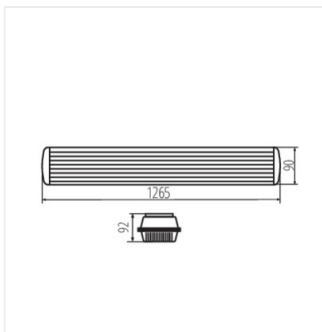
Model	Part No.	Length	Tube	Socket	Color
MAH PLUS-136-ABS/PC	<b>18519</b>	36	T8	G13	grey
MAH PLUS-236-ABS/PC	<b>18521</b>	2 x 36	T8	G13	grey
MAH PLUS-258-ABS/PC	<b>18525</b>	2 x 58	T8	G13	grey

Kanlux MAH PLUS are perfect as lighting of tunnels, industrial halls, garages, workshops, storage sheds or storehouses. Owing to the high class of tightness (IP65), the luminaires can be mounted in places directly exposed to weather conditions.

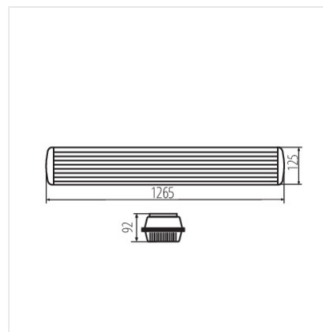
- easy installation of the light fixture using the supplied snap-on mounting brackets
- suspended mounting plate for easier connection and maintenance of the light fixture
- barrier gland for inserting a power cable
- Enclosure material: plastic
- Lampshade material: PC
- Clasp material: plastic
- Handle material: Metal

## MAH PLUS

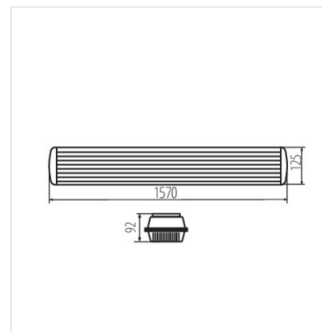
Dustproof lighting fitting



MAH PLUS-136-ABS



MAH PLUS-236-ABS/PC



MAH PLUS-258-ABS/PC

## MAH PLUS

---

### Dustproof lighting fitting

#### ACCESSORIES:

**18589** GL-MAH-136 PLUS-PC Fitting shade MAH, GL-MAH-136 PLUS-PC, (18589)



**18593** CL-MAH PLUS Fitting clip MAH, CL-MAH PLUS, (18593)



**18594** CL-MAH PLUS-INOX Fitting clip MAH, CL-MAH PLUS-INOX, (18594)



**07870** ROPE-NT 150 ROPE-NT 150 steel rope (double) for suspending fittings, 2 pcs. in a set



**07871** ROPE-NT 150 SINGLE ROPE-NT 150 SINGLE steel rope (single) for suspending fittings, 2 pcs. in a set

