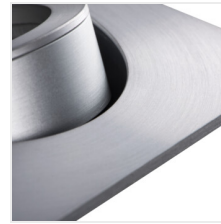


EVIT

Ceiling-mounted spotlight fitting



[V] 12 AC; 12 DC	Gx5,3	III		IP 20		[°C] 5÷25
[mm] Ø70-75		[m] 0.12	[mm] 0.75	0,5m		MR-16



EVIT CT-DTL50-AL	18560	max 10	aluminium	in one axis	30
EVIT CT-DTO50-AL	18561	max 10	aluminium	in one axis	30

Kanlux EVIT is a spot-beam holder made of aluminium. It has a possibility of adjusting the direction of light. Kanlux EVIT is a classic eye without ornaments.

- Enclosure material: aluminum alloy

EVIT

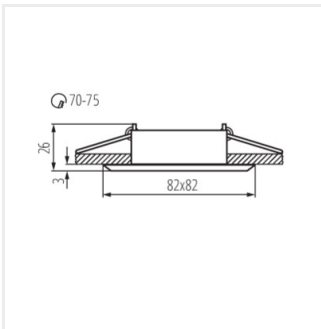
Ceiling-mounted spotlight fitting



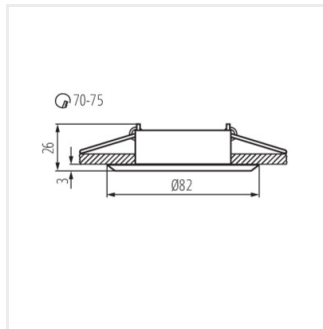
EVIT CT-DTL50-AL



EVIT CT-DTO50-AL



EVIT CT-DTL50



EVIT CT-DTO50