



BL-3-4x14H-EVG



BL-3-4x14H-EVG	<b>08240</b>	3...4 x 14	T5
BL-118H-EVG	<b>70480</b>	1 x 18	T8
BL-136H-EVG	<b>70481</b>	1 x 36	T8
BL-158H-EVG	<b>70482</b>	1 x 58	T8
BL-218H-EVG	<b>70483</b>	2 x 18	T8
BL-236H-EVG	<b>70484</b>	2 x 36	T8
BL-258H-EVG	<b>70485</b>	2 x 58	T8
BL-418H-EVG	<b>70486</b>	4 x 18	T8

- BL-3-4x14H-EVG is used for T5 fluorescent lamps current stabilisation, other models are used for T8 fluorescent lamps current stabilisation
- Material: steel



BL-3-4x14H-EVG



BL-118H-EVG



BL-136H-EVG



BL-158H-EVG

## BL

### BL ballast



BL-218H-EVG



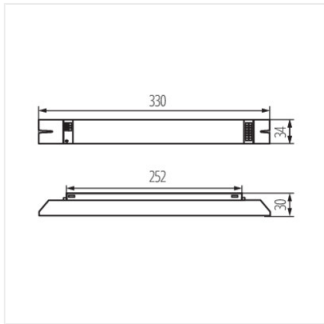
BL-236H-EVG



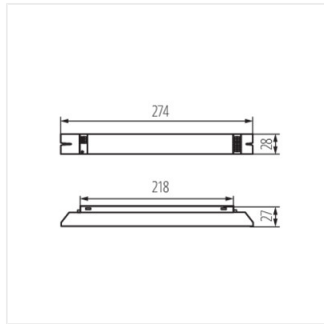
BL-258H-EVG



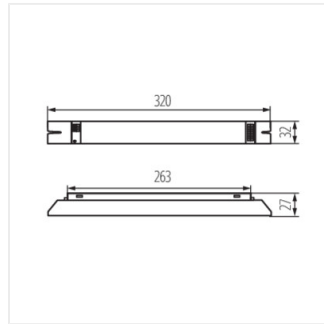
BL-418H-EVG



BL-3-4x14H-EVG; BL-418H-EVG



BL-118H-EVG; BL-136H-EVG;  
BL-218H-EVG



BL-158H-EVG; BL-236H-EVG;  
BL-258H-EVG