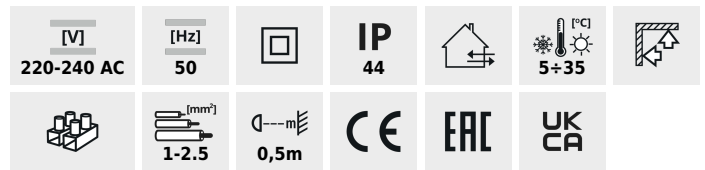


PIRES DL

Ceiling-mounted light fitting with replaceable light source



PIRES DL-600



PIRES DL-600	08810	max 60	GLS/CFL/LED	E27	white	microwave
PIRES DL-600 NS	08811	max 60	GLS/CFL/LED	E27	white	
PIRES ECO DL-250	19000	max 25	CFL/LED	E27	white	microwave
PIRES ECO DL-250 NS	19001	max 25	CFL/LED	E27	white	

Kanlux PIRES is a ceiling light fixture with minimalistic appearance which can be used outside too thanks to IP44 degree of tightness. To increase comfort, we also propose versions equipped with a microwave motion detector (code 19000 and 8810) the range of which comes to 9 metres).

- provided with a MW motion sensor
- maximum horizontal adjustment range for the motion sensor: 360°
- maximum vertical motion sensor angle: 140°
- lighting time adjustable in the range of 8 s to 12 min
- maximum motion detection range: 9 m
- motion detection 0.3...3 m/s (1...10 km/h), sensitivity adjustment range: 2...2,000 lx
- Enclosure material: plastic

PIRES DL

Ceiling-mounted light fitting with replaceable light source



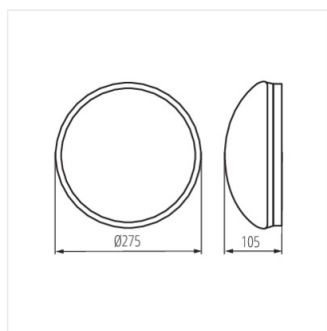
PIRES DL-600 NS



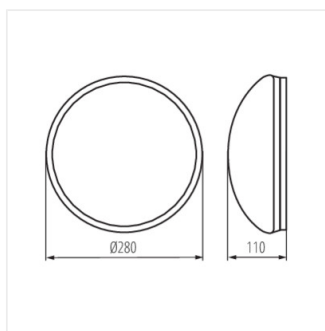
PIRES ECO DL-250



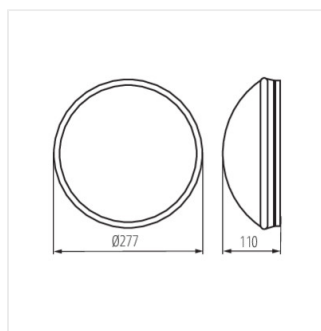
PIRES ECO DL-250 NS



PIRES DL-600



PIRES DL-600 NS



PIRES ECO DL-250; PIRES
ECO DL-250 NS