

DABA N LED SMD

Ceiling-mounted LED light fitting



[V] 220-240 AC	[Hz] 50	[°] 120	[h] ≥20000	[h] 40000	ellipse ≤ 6x MacAdam	Ra 80
SMD	IP 66	[°C] -15+35	IK 10	[mm²] 0.75-2.5	[m] max 8	[s] - [min] 10-10
[m] 0,5m	CE	EAC	PZH	UK CA	[lx] 5/15/50/2000	



DABA N LED SMD DL-16W



	[W]	[lm]	Tc [K]		SENSOR
DABA N LED SMD DL-16W	19062	16	1300	4000	white microwave
DABA N LED SMD DL-22W	19063	22	1900	4000	white microwave

Kanlux DABA N is an energy-efficient luminaire allows for decreasing energy consumption costs due to the use of motion detectors and dusk-to-dawn sensors. Therefore, it emits light only when it is necessary. Moreover, its parameters (IP66, IK10) allow for mounting it in almost every place! The ceiling luminaire enters standby mode and decreases the luminous flux to 20% after the pre-set time in the absence of motion using the STAND BY DIMMING function.

- PZH attestation: Number BK/K/0352/01/2018, valid until 2023-05-30
- Enclosure material: PC
- Lampshade material: PC

DABA N LED SMD

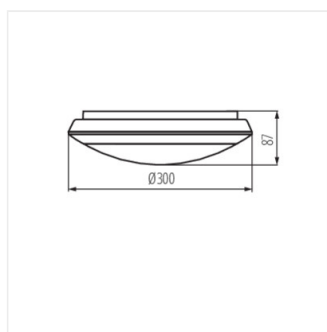
Ceiling-mounted LED light fitting



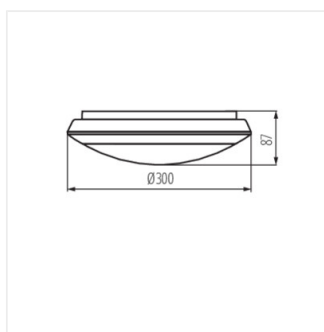
DABA N LED SMD DL-16W



DABA N LED SMD DL-22W



DABA N LED SMD DL-16W



DABA N LED SMD DL-22W