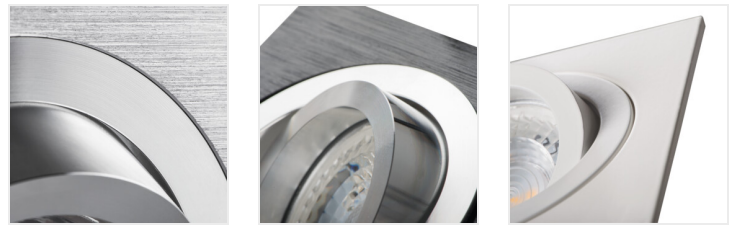
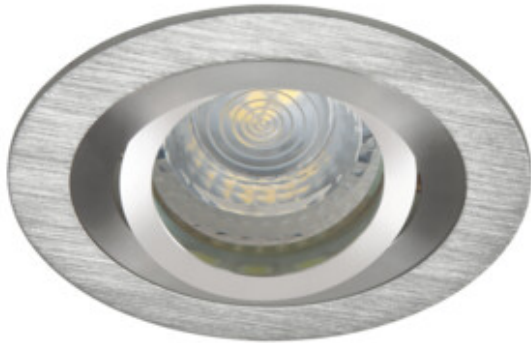


SEIDY

Ceiling-mounted spotlight fitting



12 AC; 12 DC	Gx5,3	III		IP 20		5÷25
	0.12	0.75	0,5m		MR-16	



Model	Article No.	Max. Qty.	Material	Beam Angle	Beam Distance
SEIDY CT-DTO50-AL	18280	max 10	brushed aluminium	in one axis	30
SEIDY CT-DTL50-AL	18281	max 10	brushed aluminium	in one axis	30
SEIDY CT-DTL250-AL	18282	2 x max 10	brushed aluminium	in one axis	30
SEIDY CT-DTL250-B	18284	2 x max 10	black anodised	in one axis	30
SEIDY CT-DTO50-B	18288	max 10	black anodised	in one axis	30
SEIDY CT-DTL50-B	18289	max 10	black anodised	in one axis	30
SEIDY CT-DTL50-W/M	19454	max 10	matte white	in one axis	30
SEIDY CT-DTL250-W/M	19455	2 x max 10	matte white	in one axis	30
SEIDY CT-DTO50-W/M	19456	max 10	matte white	in one axis	30
SEIDY CT-DTO50-B/M	19457	max 10	black matt	in one axis	30
SEIDY CT-DTL50-B/M	19458	max 10	black matt	in one axis	30
SEIDY CT-DTL250-B/M	19459	2 x max 10	black matt	in one axis	30

Kanlux SEIDY is a popular family of holders in which you can choose from 1 to 4 light points. You will compose ideal lighting of coffee shops, hotel interiors and privacy interiors of them.

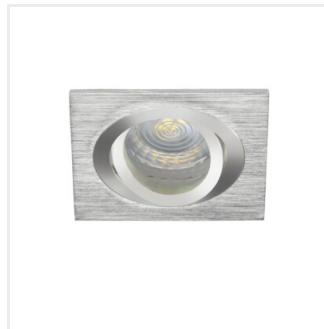
- Enclosure material: aluminum alloy

SEIDY

Ceiling-mounted spotlight fitting



SEIDY CT-DTO50-AL



SEIDY CT-DTL50-AL



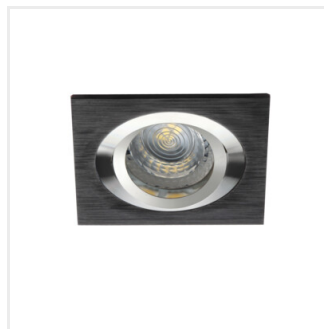
SEIDY CT-DTL250-AL



SEIDY CT-DTL250-B



SEIDY CT-DTO50-B



SEIDY CT-DTL50-B



SEIDY CT-DTL50-W/M



SEIDY CT-DTL250-W/M

SEIDY

Ceiling-mounted spotlight fitting



SEIDY CT-DTO50-W/M



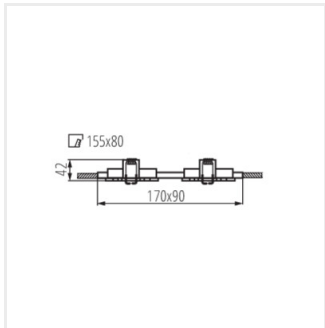
SEIDY CT-DTO50-B/M



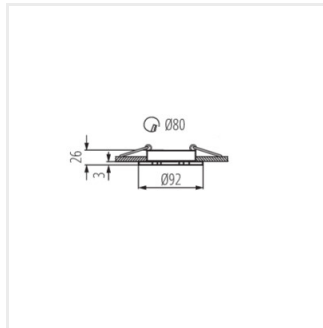
SEIDY CT-DTL50-B/M



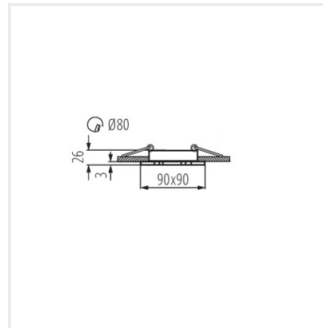
SEIDY CT-DTL250-B/M



SEIDY CT-DTL250



SEIDY CT-DTO50



SEIDY CT-DTL50