

Kanlux

Kanlux CTRL 12/24V RGBW CCT

The controller is compatible with single-colour LED strips and RGB/RGBW/RGBCCT LED strips. It can cooperate with RGB CCT remote controls. The Kanlux REMOTE control is required for full functionality .



IP
20



CTRL 12/24V RGBW CCT



CTRL 12/24V RGBW CCT	22148	white	12 DC; 24 DC	max 10	max 30	
REMOTE RGBW	22146	white	2 x 1,5 DC		2 x AAA	max 30 4
REMOTE 4 RGBW/CCT-B	22135	black	2 x 1,5 DC		2 x AAA	max 30 4
REMOTE N 8 RGBW/CCT-W	22134	white	2 x 1,5 DC		2 x AAA	max 30 8



CTRL 12/24V RGBW CCT



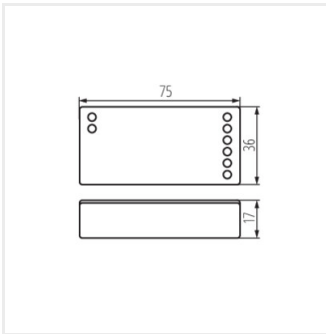
REMOTE RGBW



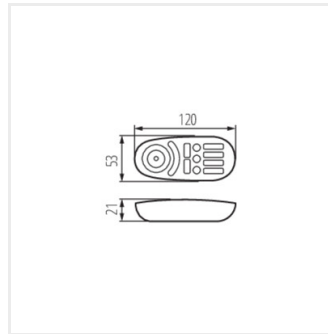
REMOTE 4 RGBW/CCT-B



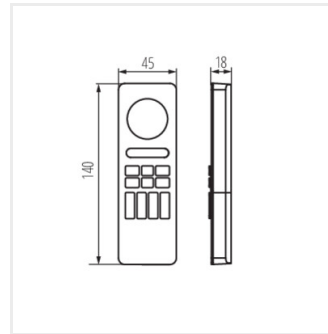
REMOTE N 8 RGBW/CCT-W



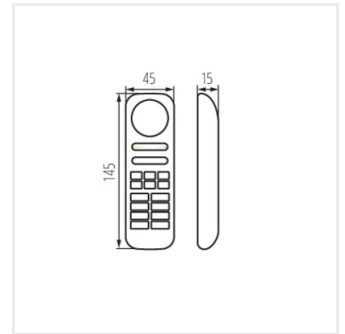
CTRL 12/24V RGBW CCT



REMOTE RGBW



REMOTE 4 RGBW/CCT-B



REMOTE N 8 RGBW/CCT-W

Date of issue: 10.02.2026, 09:00

We reserve the right to make technical changes. The data contained in this material are not legally binding.

Photometry: the results obtained from testing were from a specific sample.

Kanlux S.A. ul. Objazdowa 1-3, 41-922 Radzionków, Poland kanlux@kanlux.com

