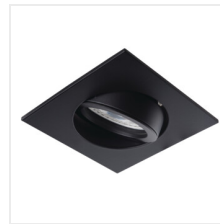


DALLA

Ceiling-mounted spotlight fitting



 12 AC; 12 DC	 Gx5,3	 III	 4°	 IP 20		 5÷25
 Ø70		 0.12	 0.75	 0,5m		 MR-16



DALLA CT-DTL50-B



DALLA CT-DTO50-W	22430	max 10	white	in one axis	30
DALLA CT-DTL50-W	22431	max 10	white	in one axis	30
DALLA CT-DTO50-B	22432	max 10	black	in one axis	30
DALLA CT-DTL50-B	22433	max 10	black	in one axis	30

Kanlux DALLA is a very carefully made holder for installation inside buildings. It has a movable ring, thanks to which you can adjust the light stream. Its shapes and universal colours allow achieving a modern, discrete effect of elegance.

- Enclosure material: aluminum alloy

DALLA

Ceiling-mounted spotlight fitting



DALLA CT-DTO50-W



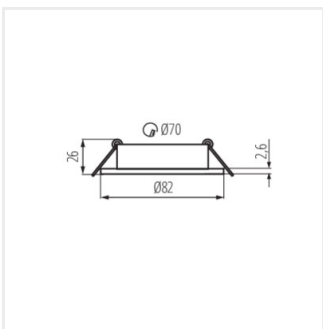
DALLA CT-DTL50-W



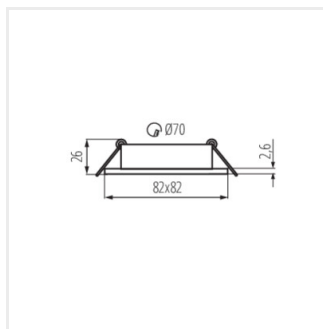
DALLA CT-DTO50-B



DALLA CT-DTL50-B



DALLA CT-DTO50



DALLA CT-DTL50