

TEAR

Accessory for electrical supply track systems



TEAR PR-90A-WH

TEAR PR-90A-WH	22581
TEAR PR-90B-WH	22582
TEAR PR-FLEX-WH	22584
TEAR PR-I-WH	22585
TEAR PR-I-B-WH	22586
TEAR PR-PLUG-WH	22587
TEAR PR-T-LLR-WH	22589
TEAR PR-T-RRL-WH	22590
TEAR PR-X-WH	22591
TEAR TR 2M-WH	22593



TEAR PR-90A-WH



TEAR PR-90B-WH



TEAR PR-FLEX-WH



TEAR PR-I-WH

TEAR

Accessory for electrical supply track systems



TEAR PR-I-B-WH



TEAR PR-PLUG-WH



TEAR PR-T-LLR-WH



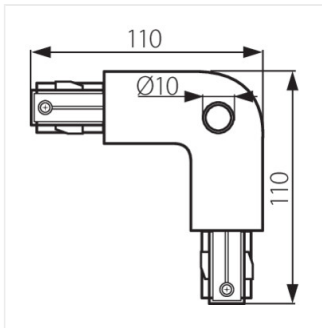
TEAR PR-T-RRL-WH



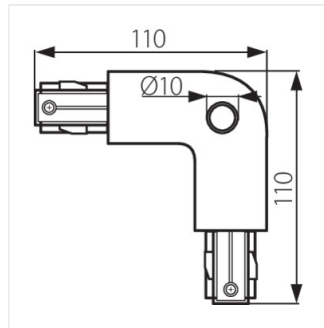
TEAR PR-X-WH



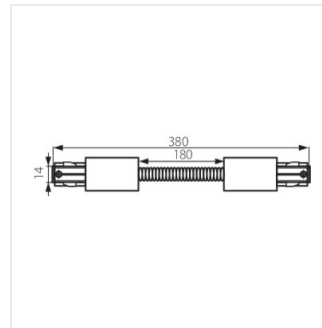
TEAR TR 2M-WH



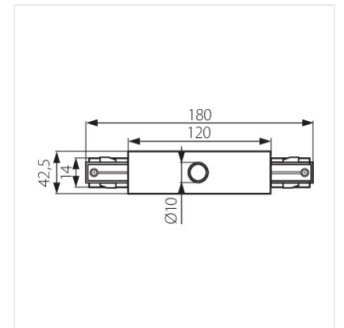
TEAR PR-90A-WH



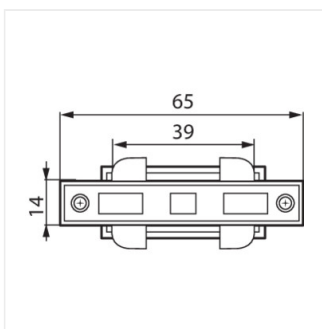
TEAR PR-90B-WH



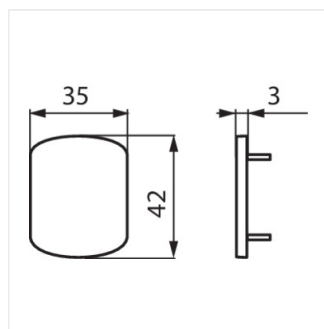
TEAR PR-FLEX-WH



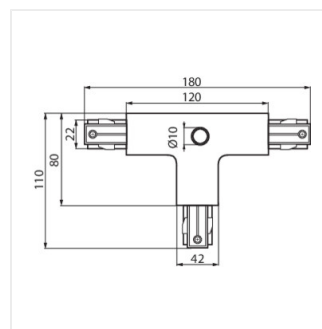
TEAR PR-I-WH



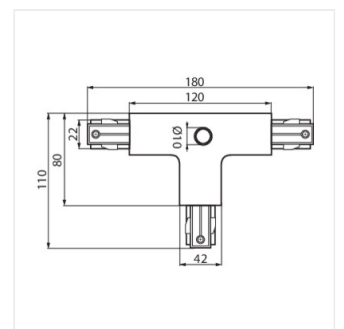
TEAR PR-I-B-WH



TEAR PR-PLUG-WH



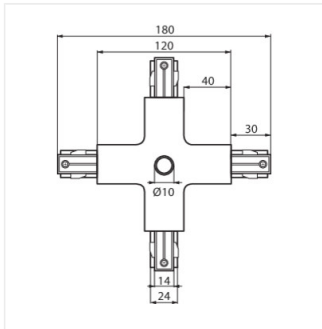
TEAR PR-T-LLR-WH



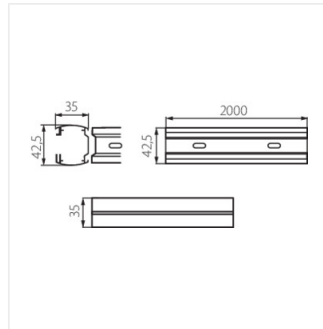
TEAR PR-T-RRL-WH

TEAR

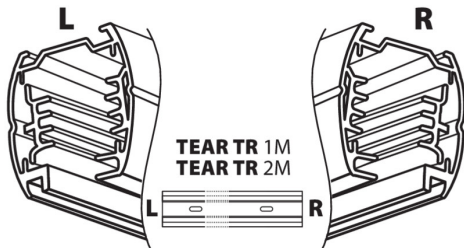
Accessory for electrical supply track systems



TEAR PR-X-WH

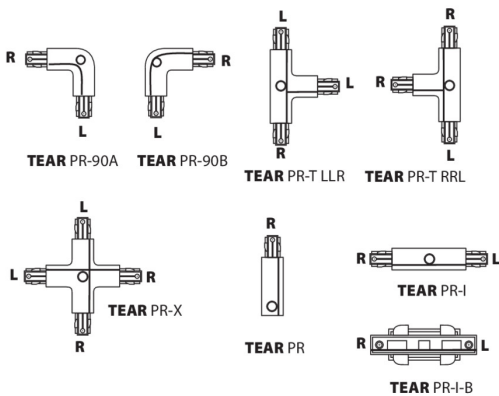
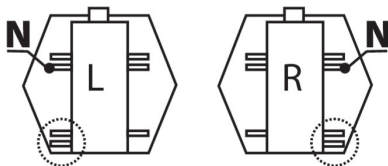


TEAR TR 2M-WH



TEAR TR 1M
TEAR TR 2M

N —



TEAR

Accessory for electrical supply track systems

