

MAH LED N

LED dustproof lighting fitting



[V] 220-240 AC	[Hz] 50	≥ 15000	(h) 30000	ellipse $\leq 6x$ MacAdam	Ra 80	SMD
		IP 65		[°C] -20 ÷ 40		IK 08
	[mm ²] 1.5 ÷ 2.5	m 0,5m				



MAH-LED N 20W-NW/PC

	[W]	[lm]	T _c [K]	[°]		
MAH-LED N 20W-NW/PC	22603	20	2100	4000	X135/Y100	grey
MAH-LED N 40W-NW/PC	22604	40	4200	4000	X135/Y100	grey
MAH-LED N 50W-NW/PC	22605	50	5250	4000	X135/Y100	grey

Kanlux MAH LED N are hermetic luminaires designed for more demanding users. They are characterised by unique luminous efficacy reaching 105 lm/W and the possibility of connecting them in lines of even 15 luminaires (depending on the model), which allows for lighting of large spaces.

- Enclosure material: PC
- Lampshade material: PC

MAH LED N

LED dustproof lighting fitting



MAH-LED N 20W-NW/PC



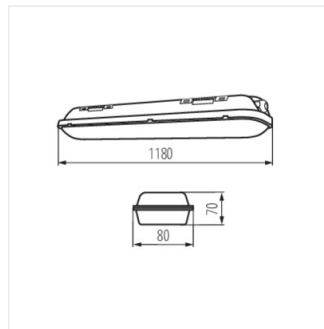
MAH-LED N 40W-NW/PC



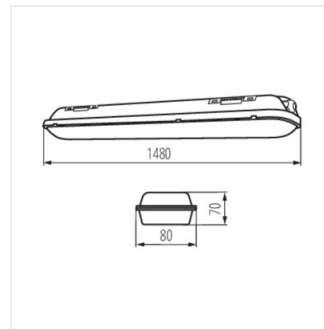
MAH-LED N 50W-NW/PC



MAH-LED N 20W



MAH-LED N 40W



MAH-LED N 50W