

MAH LED HI

LED dustproof lighting fitting



up to
150 $\frac{\text{lm}}{\text{W}}$



$[\text{V}]$ 220-240 AC	$[\text{Hz}]$ 50	≥ 15000	$[\text{h}]$ 50000	ellipse $\leq 6x$ MacAdam	Ra 80	SMD
		IP 65		$[\text{°C}]$ -20÷40		IK 08
	$[\text{mm}^2]$ 1.5÷2.5	---m 0,5m	CE	EAC	PZH	UK CA



MAH LED HI 19W-NW RYF



	$[\text{W}]$	$[\text{lm}]$	T_c [K]	$[\text{°}]$	$[\text{°}]$	
MAH LED HI 19W-NW RYF	22606	19	2400	4000	110	grey
MAH LED HI 38W-NW RYF	22607	38	5000	4000	110	grey
MAH LED HI 48W-NW RYF	22608	48	6400	4000	110	grey
MAH LED HI 26W-NW RYF	22609	26	3900	4000	110	grey

Kanlux MAH LED HI are hermetic luminaires designed for demanding users. They are characterised by exceptional luminous efficacy reaching 150 lm/W. Kanlux MAH LED HI luminaires are easy and quick to mount and can be connected in lines, enabling the illumination of large spaces. In Kanlux MAH LED HI luminaires, we used a grooved lampshade, which increases the luminous flux.

- 5 years Warranty under the terms of the warranty statement, available on our website
- Enclosure material: PC
- Lampshade material: PC

MAH LED HI

LED dustproof lighting fitting



MAH LED HI 19W-NW RYF



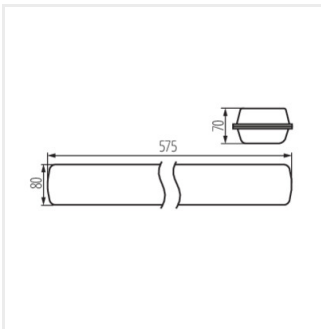
MAH LED HI 38W-NW RYF



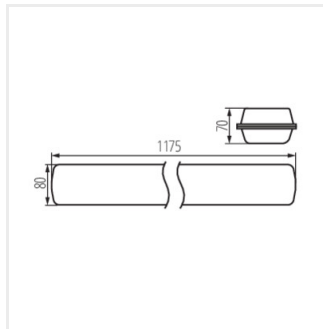
MAH LED HI 48W-NW RYF



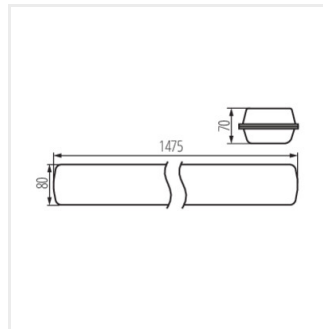
MAH LED HI 26W-NW RYF



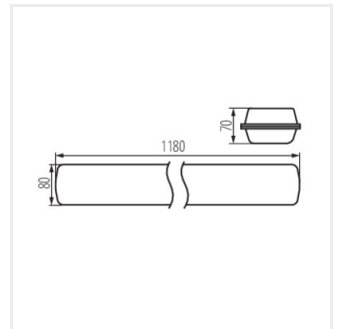
MAH LED HI 19W RYF



MAH LED HI 38W-NW RYF



MAH LED HI 48W RYF



MAH LED HI 26W RYF