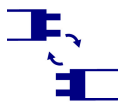
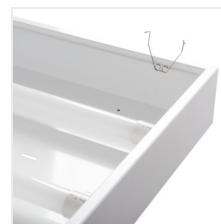


## REGIS 4LED

Embedded louver fitting



 220-240 AC	 50	 ONE SIDE INPUT	 IP 20	 5+25	 5+25	
		 1÷2.5	 0,5m			



### REGIS 4LED OPAL 418PT



REGIS 4LED OPAL 418PT	<b>19736</b>	4 x max 18	T8 LED	G13	white
REGIS 4LED 418 PT	<b>22673</b>	4 x max 18	T8 LED	G13	white

Kanlux REGIS 4LED luminaires are traditional raster recessed luminaires adapted to T8 LED fluorescent lamps. They are manufactured in Poland of components provided by Polish suppliers. Raster lighting is still a very popular solution for office and industrial spaces.

- the fittings are intended for light sources T8 LED 220-240 V ~; 50/60Hz with one-sided power supply
- fittings adapted to suspension on slings
- simple assembly of the raster on spring catches
- powder coated
- Enclosure material: steel

## REGIS 4LED

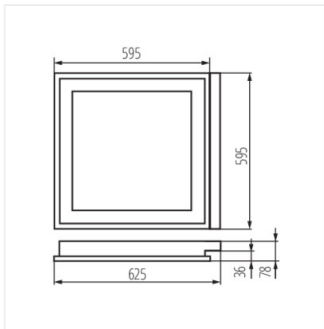
Embedded louver fitting



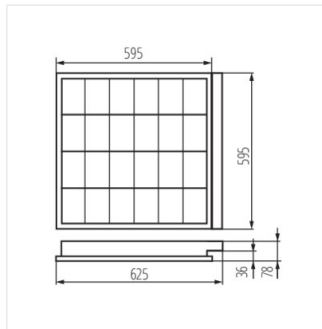
REGIS 4LED OPAL 418PT



REGIS 4LED 418 PT



REGIS 4LED OPAL 418PT



REGIS 4LED 418 PT

### ACCESSORIES:

**72333** CLP-REGIS/PT CLP-REGIS/PT mounting support, used for building in fittings in a plasterboard suspended ceiling. 4 pcs. in a set.

