

KMB6

Overcurrent circuit breaker, 1P



KMB6-B16/1

	[V]		In [A]
KMB6-B16/1	23140	230/400 AC	1 16
KMB6-B10/1	23141	230/400 AC	1 10
KMB6-B20/1	23142	230/400 AC	1 20
KMB6-B6/1	23144	230/400 AC	1 6
KMB6-B25/1	23147	230/400 AC	1 25
KMB6-B2/1	23156	230/400 AC	1 2
KMB6-B13/1	23158	230/400 AC	1 13
KMB6-B32/1	23162	230/400 AC	1 32
KMB6-B40/1	23174	230/400 AC	1 40
KMB6-B1/1	23175	230/400 AC	1 1
KMB6-B50/1	23176	230/400 AC	1 50
KMB6-B63/1	23177	230/400 AC	1 63
KMB6-B4/1	23179	230/400 AC	1 4

Circuit breaker with overcurrent protection is used to protect cables against overloads and short circuits in installations and devices.

KMB6

Overcurrent circuit breaker, 1P



KMB6-B16/1



KMB6-B10/1



KMB6-B20/1



KMB6-B6/1



KMB6-B25/1



KMB6-B2/1



KMB6-B13/1



KMB6-B32/1



KMB6-B40/1



KMB6-B1/1



KMB6-B50/1



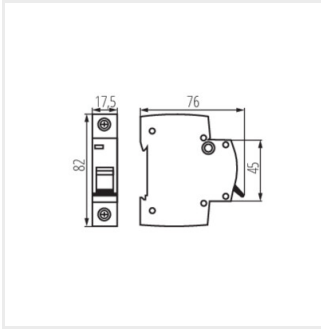
KMB6-B63/1



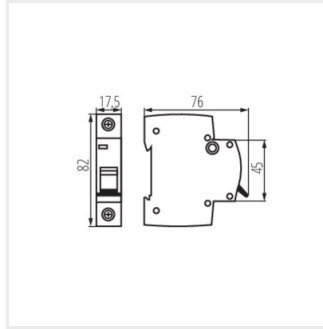
KMB6-B4/1

KMB6

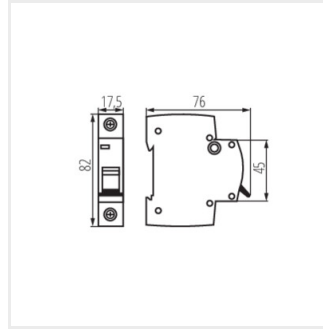
Overcurrent circuit breaker, 1P



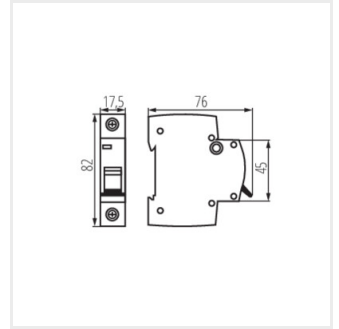
KMB6-B16/1



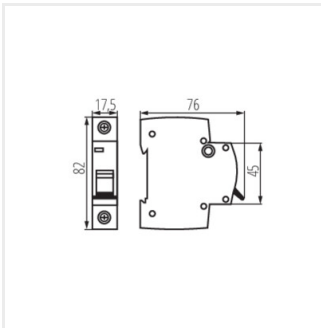
KMB6-B10/1



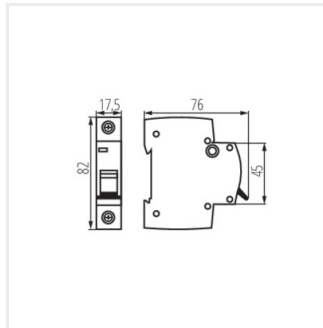
KMB6-B20/1



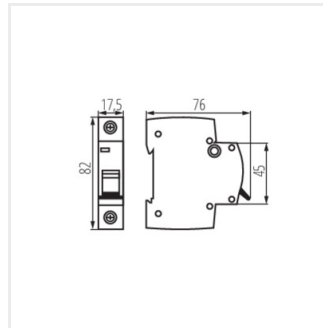
KMB6-B6/1



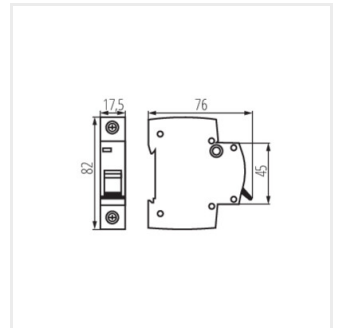
KMB6-B25/1



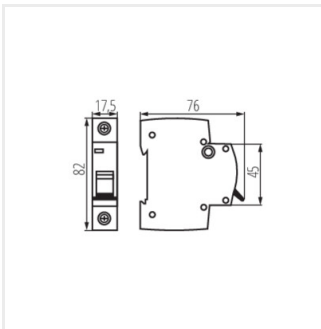
KMB6-B2/1



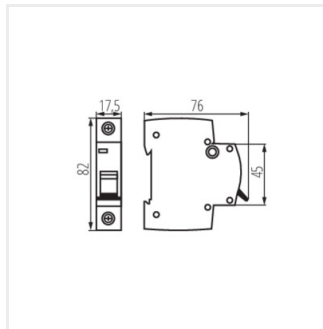
KMB6-B13/1



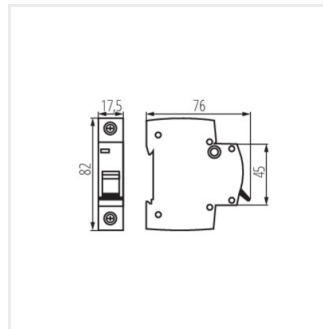
KMB6-B32/1



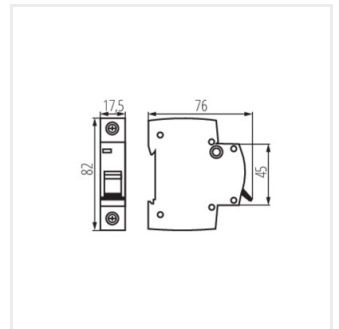
KMB6-B40/1



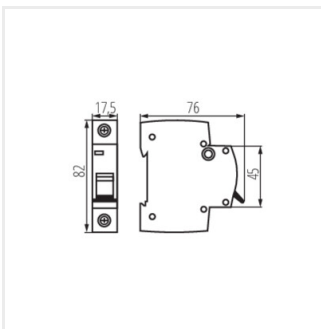
KMB6-B1/1



KMB6-B50/1



KMB6-B63/1



KMB6-B4/1