

KRO6

Residual-current circuit breaker with overcurrent module, 6kA, 2P



KRO6-2/B16/30

[V] 230 AC	[Hz] 50	[mm²] 10÷16	[°C] -25÷40	IP 20	2	2P
2	TH 35	Ui [V] 400	CE	EAC	UK CA	

In [A] **I_{an} [mA]** **Residual-current protection type**

KRO6-2/B16/30	23210	B	16	30	AC
KRO6-2/B25/30	23211	B	25	30	AC
KRO6-2/B16/30-A	23212	B	16	30	A
KRO6-2/B10/30	23213	B	10	30	AC
KRO6-2/B10/30-A	23214	B	10	30	A
KRO6-2/C10/30	23215	C	10	30	AC
KRO6-2/C10/30-A	23216	C	10	30	A
KRO6-2/C16/30	23217	C	16	30	AC
KRO6-2/C16/30-A	23218	C	16	30	A
KRO6-2/B20/30	23219	B	20	30	AC
KRO6-2/B6/30	23220	B	6	30	AC
KRO6-2/C25/30	23221	C	25	30	AC
KRO6-2/C32/30	23222	C	32	30	AC
KRO6-2/C25/30-A	23223	C	25	30	A
KRO6-2/C32/30-A	23224	C	32	30	A

Residual current device with overcurrent protection is used to protect against overloads and short circuits in installations and devices, as well as to protect against electric shock.

KRO6

Residual-current circuit breaker with overcurrent module, 6kA, 2P



KRO6-2/B16/30



KRO6-2/B25/30



KRO6-2/B16/30-A



KRO6-2/B10/30



KRO6-2/B10/30-A



KRO6-2/C10/30



KRO6-2/C10/30-A



KRO6-2/C16/30



KRO6-2/C16/30-A



KRO6-2/B20/30



KRO6-2/B6/30



KRO6-2/C25/30



KRO6-2/C32/30



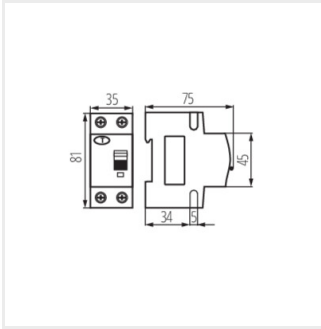
KRO6-2/C25/30-A



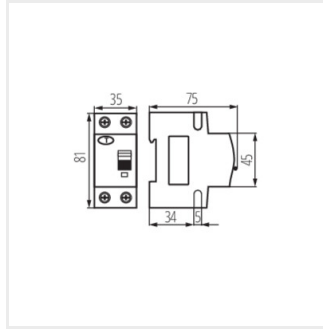
KRO6-2/C32/30-A

KRO6

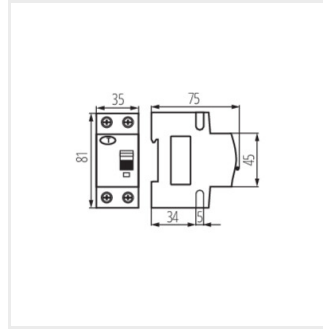
Residual-current circuit breaker with overcurrent module, 6kA, 2P



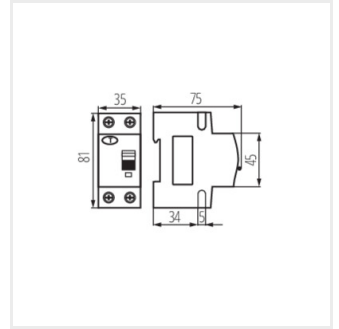
KRO6-2/B16/30



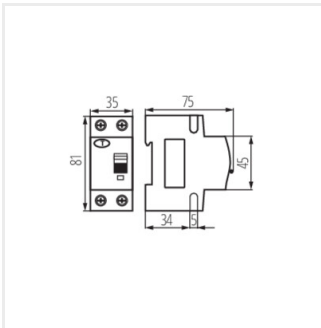
KRO6-2/B25/30



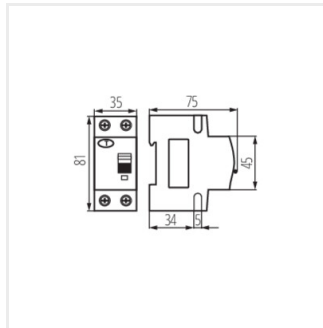
KRO6-2/B16/30-A



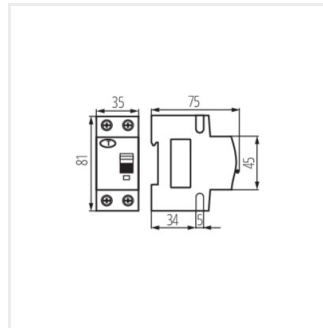
KRO6-2/B10/30



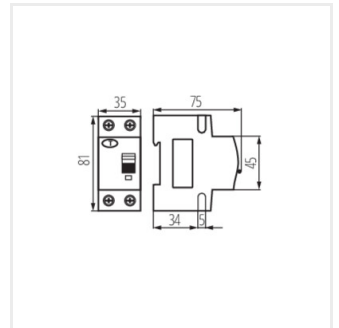
KRO6-2/B10/30-A



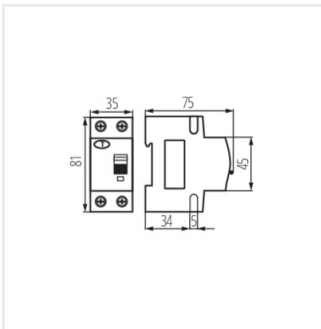
KRO6-2/C10/30



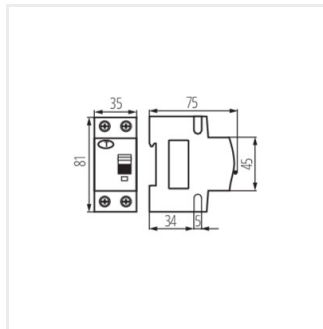
KRO6-2/C10/30-A



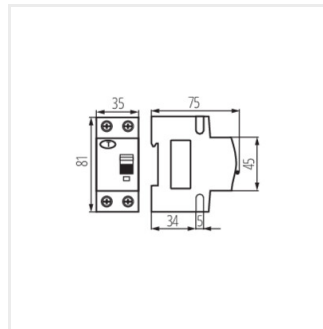
KRO6-2/C16/30



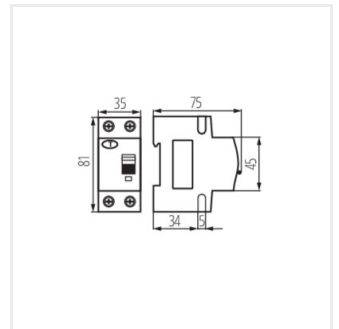
KRO6-2/C16/30-A



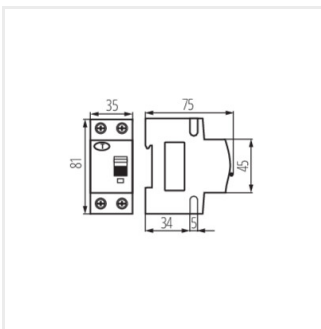
KRO6-2/B20/30



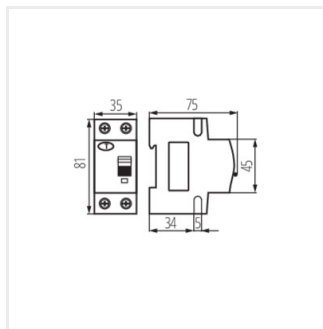
KRO6-2/B6/30



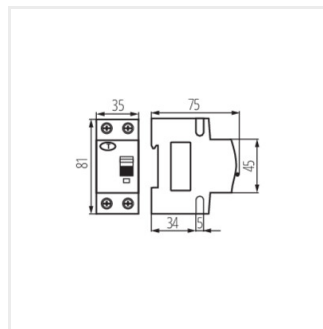
KRO6-2/C25/30



KRO6-2/C32/30



KRO6-2/C25/30-A



KRO6-2/C32/30-A